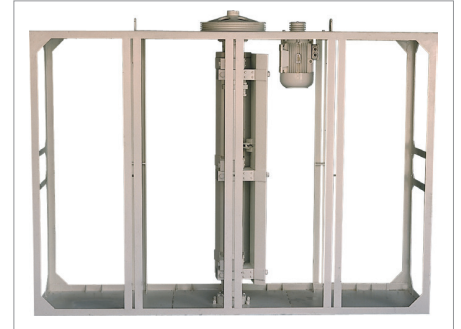
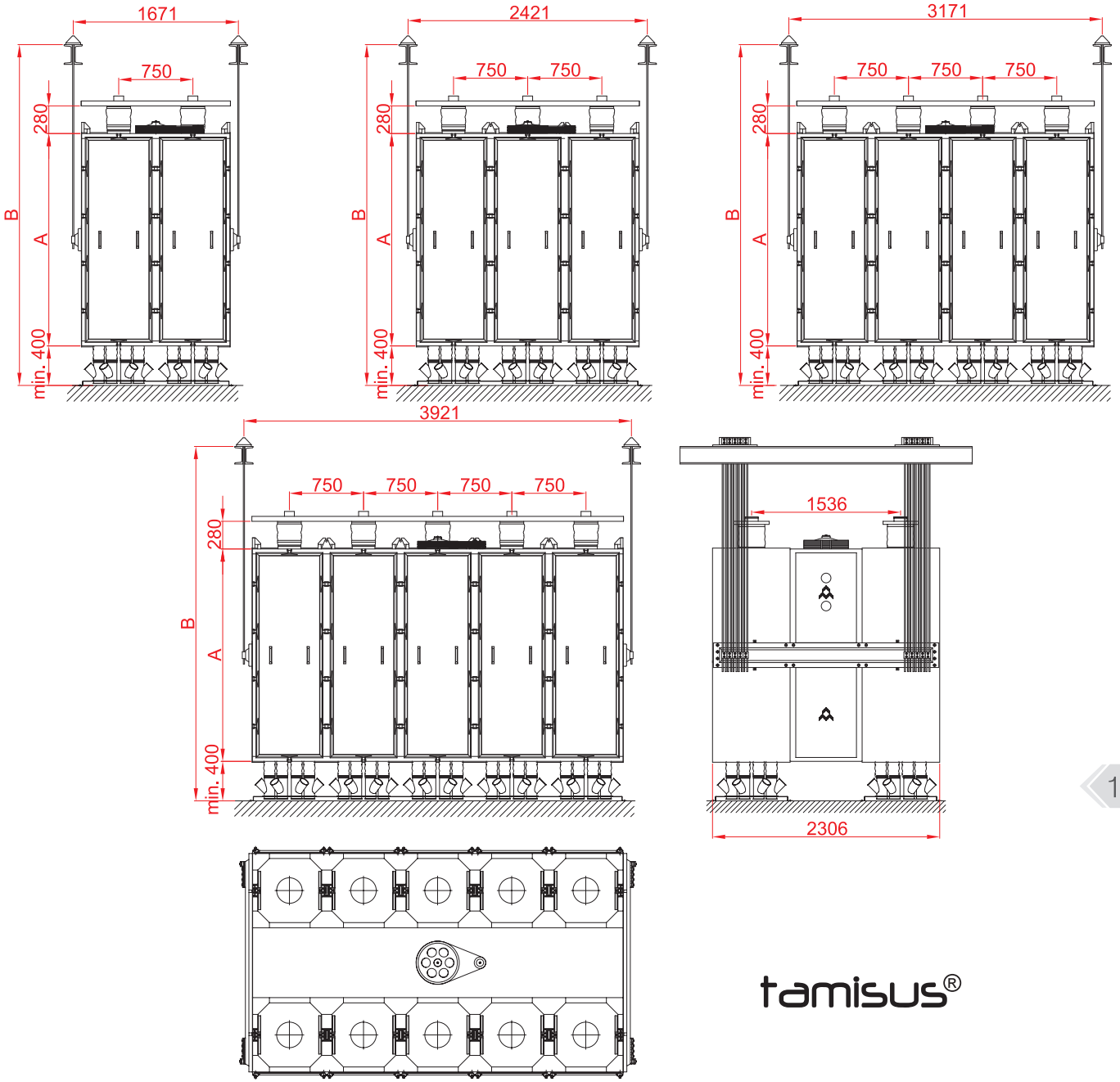


ELEK / PLANSIFTER / PLANSICHTER



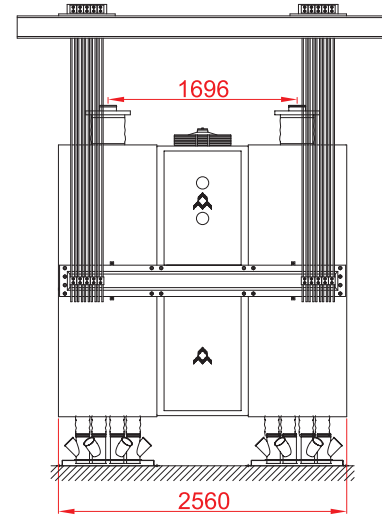
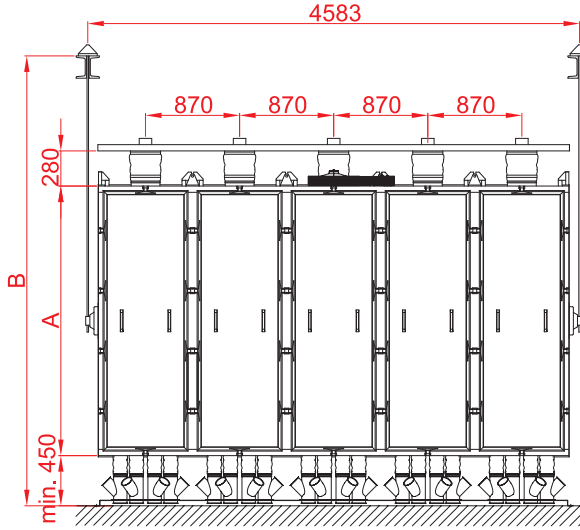
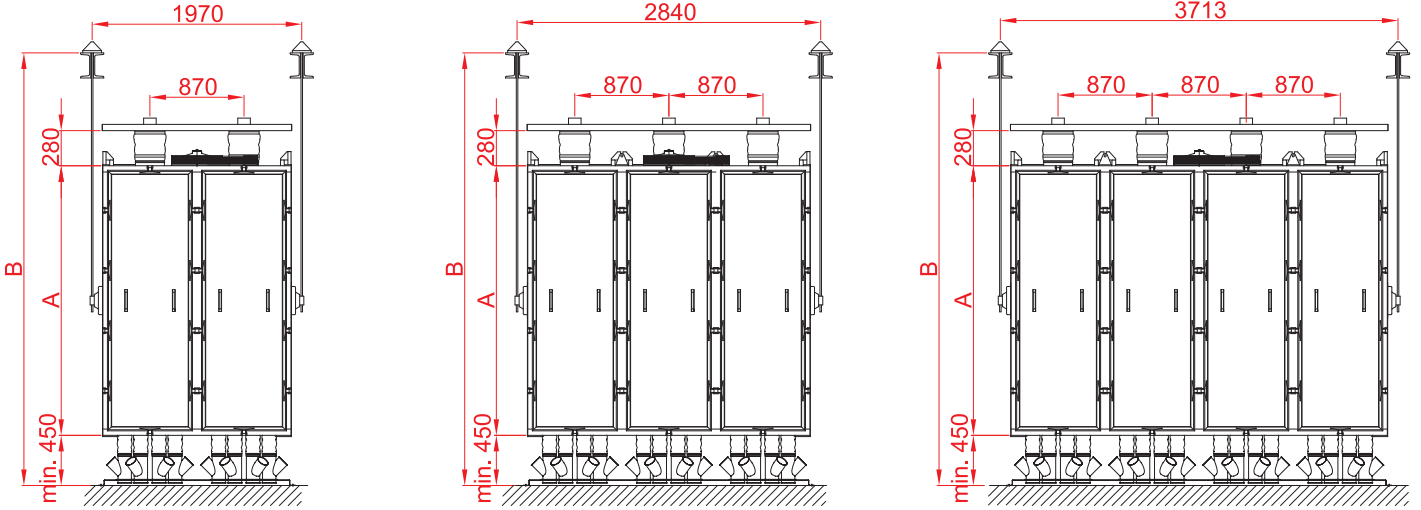
tamisus®



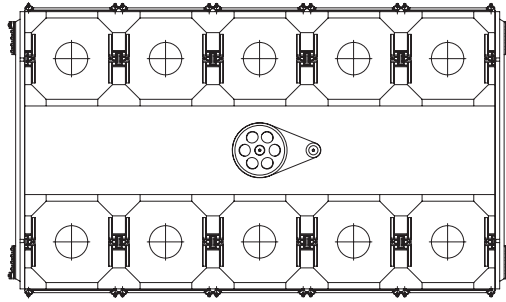


TEKNİK BİLGİLER - TECHNICAL DATA

Tip / Type	Number of Compartments	A	B	Net Elek Yüzeyi Net sieve Surface (m ²)	El. Motor k(W)	Ağırlık Weight (kg)
Mud-16-416-419	16-19	1550	2950	14,92-23,08	3	2454-3053
Mud-16-420-423	20-23	1850	3100	18,65-27,94	4	2454-3053
Mud-16-424-428	24-28	2150	3250	22,38-34,01	4	2454-3053
Mud-16-616-619	16-19	1550	2950	22,38-34,62	4	3074-4119
Mud-16-620-623	20-23	1850	3100	27,98-41,91	5.5	3074-4119
Mud-16-624-628	24-28	2150	3250	33,58-51,2	5.5	3074-4119
Mud-16-816-819	16-19	1550	2950	29,85-46,16	5.5	3697-5184
Mud-16-820-823	20-23	1850	3100	37,31-55,88	7.5	3697-5184
Mud-16-824-828	24-28	2150	3250	44,77-68,03	7.5	3697-5184
Mud-16-1020-1023	20-23	1850	3100	46,64-69,85	11	4553-6384
Mud-16-1024-1028	24-28	2150	3250	55,97-85,04	11	4553-6384
Mud-16-1028-1032	28-32	2350	3500	65,30-97,19	11	4553-6384



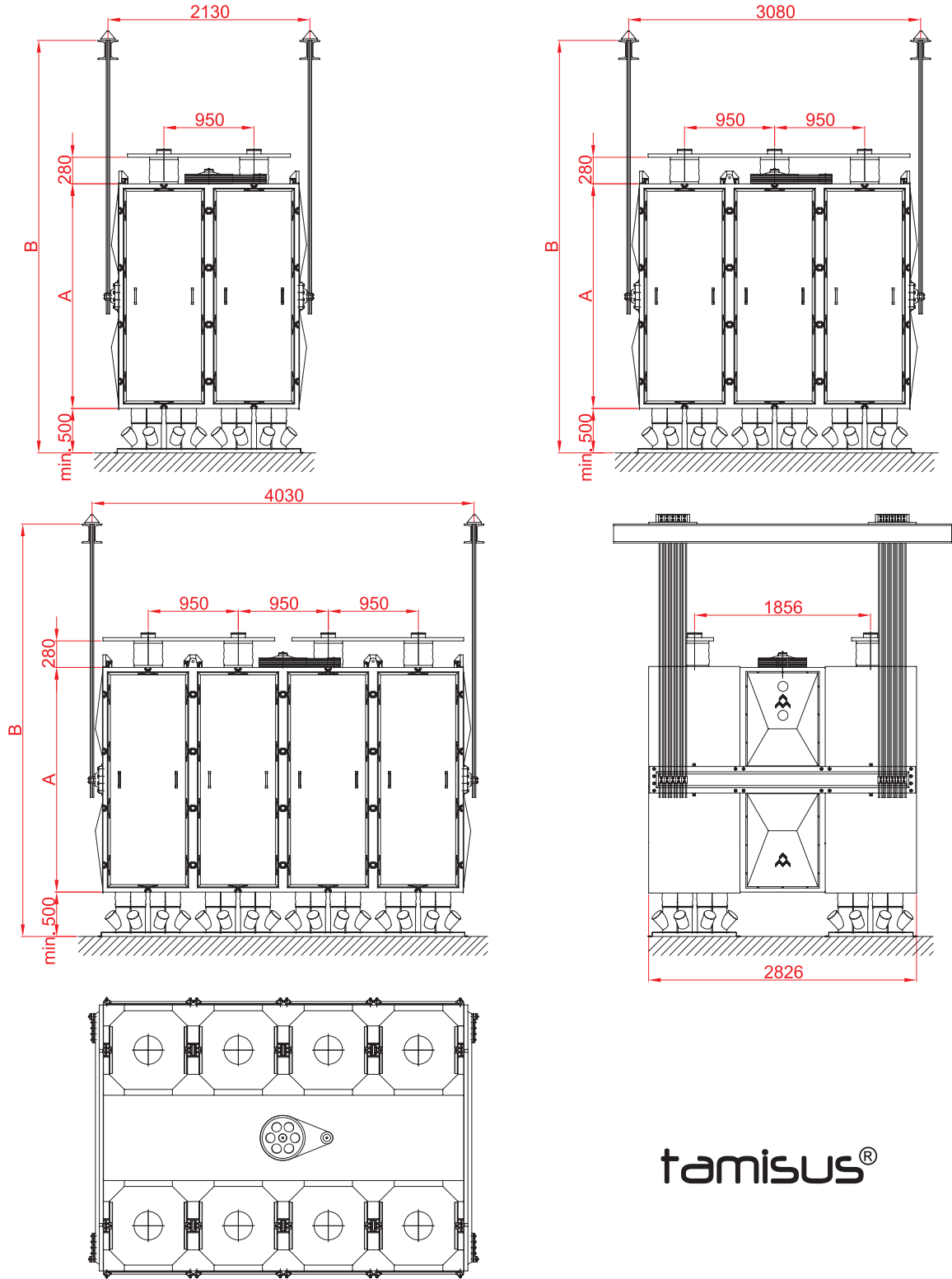
16



tamisus®

TEKNİK BİLGİLER - TECHNICAL DATA

Tip / Type	Number of Compartments	A	B min.	Net Elek Yüzeği Net sieve Surface (m²)	El. Motor (kW)	Ağırlık Weight (kg)
Mud-16-424M - 428M	24-28	2170	3300	31.48 - 46.76	5.5	3200 - 3500
Mud-16-428M - 432M	28-32	2370	3550	36.73 - 53.44	5.5	3500 - 3800
Mud-16-624M - 628M	24-28	2170	3300	47.23 - 70.14	7.5	4800 - 5100
Mud-16-628M - 632M	28-32	2370	3550	55.1 - 80.16	7.5	5100 - 5400
Mud-16-824M - 828M	24-28	2170	3300	62.97 - 93.52	11	6450 - 6750
Mud-16-828M - 832M	28-32	2370	3550	73.43 - 106.88	11	6750 - 7050
Mud-16-1024M - 1028M	24-28	2170	3300	78.72 - 116.90	15	8000 - 8300
Mud-16-1028M - 1032M	28-32	2370	3550	91.84 - 133.6	15	8300 - 8600

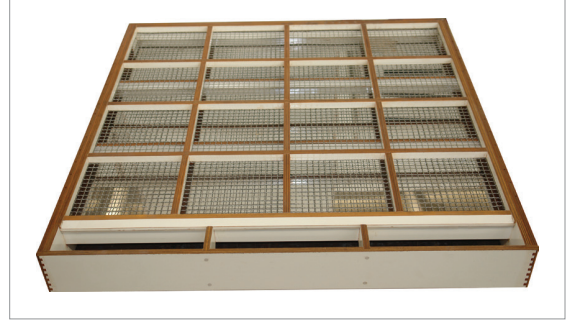
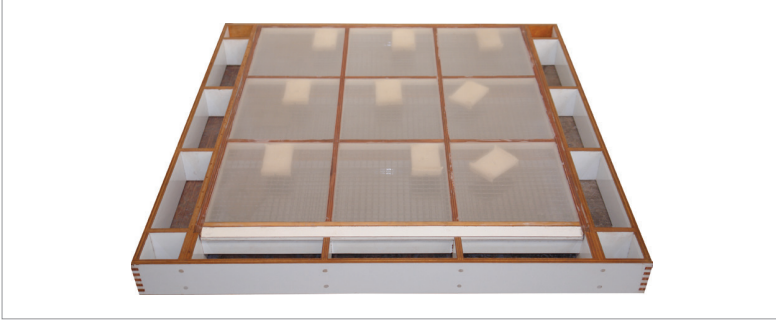


tamisus®

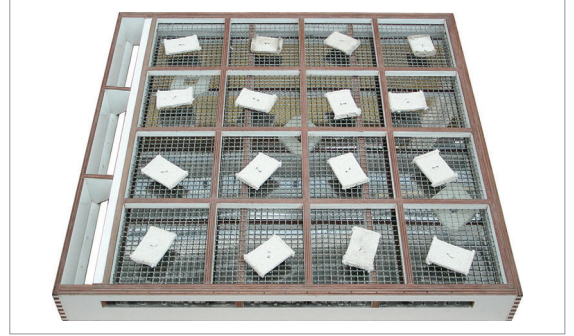
TEKNİK BİLGİLER - TECHNICAL DATA

Tip / Type	Number of Compartments	A	B min.	Net Elek Yüzevi Net sieve Surface (m ²)	El. Motor (kW)	Ağırlık Weight (kg)
Mud-16-424J - 428J	24-28	2170	4000	38.9 - 56.8	4	3000 - 4000
Mud-16-428J - 432J	28-32	2370	4500	45.4 - 64.9	5.5	3000 - 4000
Mud-16-624J - 628J	24-28	2170	4000	58.4 - 85.3	5.5	4000 - 5500
Mud-16-628J - 632J	28-32	2370	4500	68.2 - 97.4	7.5	4000 - 5500
Mud-16-824J - 828J	24-28	2170	4000	77.9 - 113.7	11	5200 - 7000
Mud-16-828J - 832J	28-32	2370	4500	90.9 - 129.9	15	5200 - 7000

ELEK / PLANSIFTER / PLANSICHTER

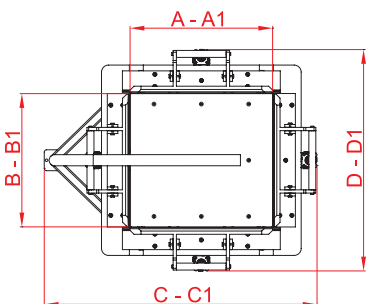
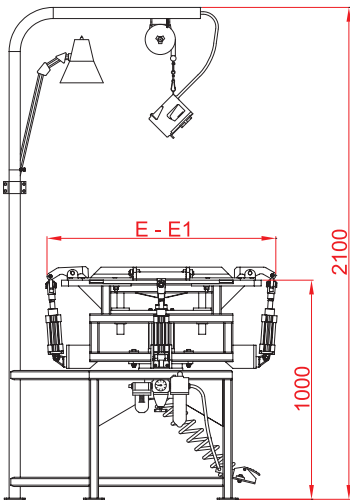


tamisus®



İPEK GERİCİ / SIEVE STRETCHER / TAMISEUR A AIR COMPRIME

18



TEKNİK BİLGİLER - TECHNICAL DATA

Tip / Type	Hava İhtiyacı Air required (m ³ /min)	Basınç İhtiyacı Pressure required (bar)	Ağırlık Weight (kg)
Ms-52-A	0.1	6 - 7	185
Ms-52-B	0.1	6 - 7	220
Ms-52-C	0.1	6 - 7	250

ÖLÇÜLER - DIMENSIONS (mm)

Tip / Type	A	A1	B	B1	C	C1	D	D1	E	E1
Ms-52-A	575	620	500	575	1375	1420	880	955	955	1000
Ms-52-B	670	670	720	590	1470	1280	1000	970	1050	1050
Ms-52-C	745	745	798	660	1545	1545	1178	1040	1125	1125