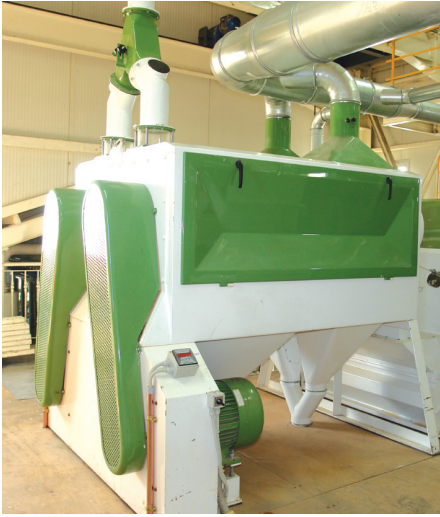
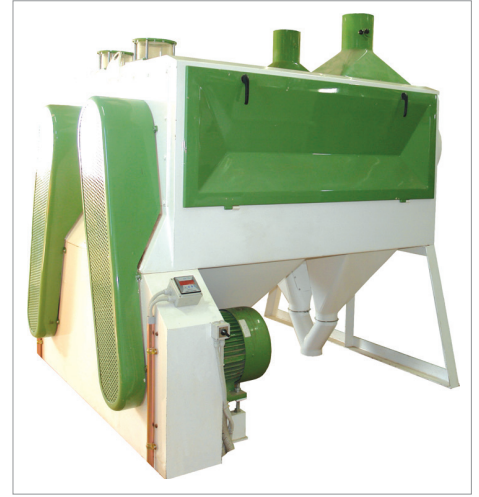
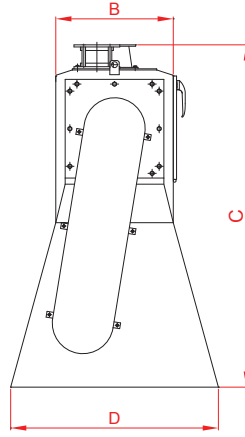
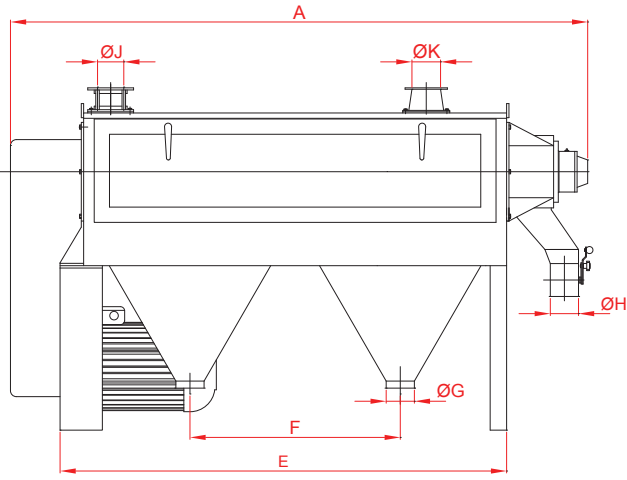


KABUK SOYUCU / SCOURER / BROSSE INTENSIVE



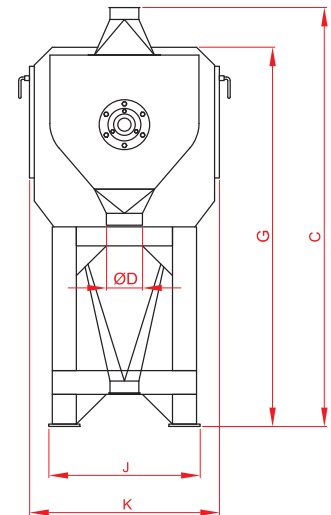
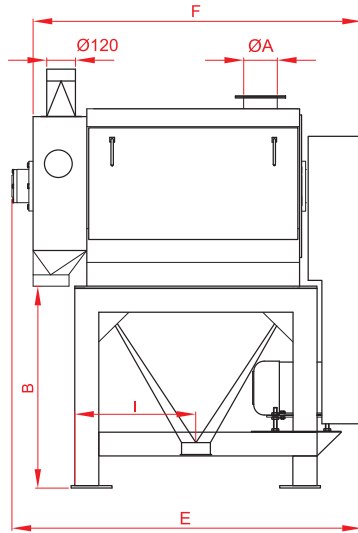
ÖLÇÜLER - DIMENSIONS (mm)

Tip / Type	A	B	C	D	E	F	ØG	ØH	ØJ	ØK
Mut-43-30/60	1450	500	1460	884	1000	-	120	120	120	120
Mut-43-30/95	1835	500	1460	884	1350	-	120	120	120	120
Mut-43-30/150	2455	500	1460	884	1900	895	120	120	120	120
Mut-43-30/150A	2455	500	1460	884	1900	895	120	120	120	120

TEKNİK BİLGİLER - TECHNICAL DATA

Tip / Type	Kapasite / Capacity (t/h)		El. Motor (kW)	Hava İhtiyacı Air required (m ³ /min.)	Ağırlık Weight (kg)
	Yumuşak Buğday Soft Wheat	Sert Buğday Hard Wheat			
Mut-43-30/60	5	4	5.5	5	345
Mut-43-30/95	8	6	7.5	8	400
Mut-43-30/150	12	9	11	10	480
Mut-43-30/150A	6	4.5	22	25	570

41



ÖLÇÜLER - DIMENSIONS (mm)

Tip / Type	ØA	B	C	ØD	E	F	G	I	J	K
Mut-59-8	114	785	1625	114	1260	1160	1450	415	480	590
Mut-59-9	140	785	1625	114	1260	1160	1450	415	480	590
Mut-59-16	140	850	1765	150	1460	1365	1600	515	630	790
Mut-59-20	200	850	1765	200	1460	1365	1600	515	630	790
Mut 59-22	200	850	1765	200	1460	1365	1600	515	630	790

TEKNİK BİLGİLER - TECHNICAL DATA

Tip / Type	Kapasite / Capacity			El. Motor (kW)	Hava İhtiyacı Air required (m ³ /min.)	Ağırlık Weight (kg)
	1. Temizleme 1. Cleaning	2. Temizleme 2. Cleaning	1,2. Temizleme 1,2. Cleaning			
Mut-59-8	8	7,5	7,5	7,5	8	750
Mut-59-9	9	8,5	8,5	11	10	810
Mut-59-16	16	15	15	15	12	1150
Mut-59-20	20	18	18	18,5	15	1170
Mut 59-22	22	20	20	22	15	1200