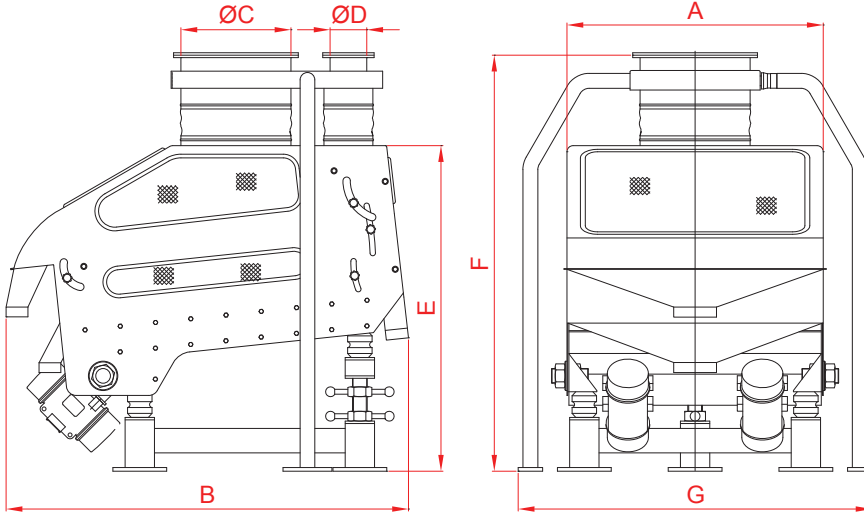


KURU TAŞ AYIRICI / DRY STONER / EPIERREUR A SEC

With Cleaning Screen

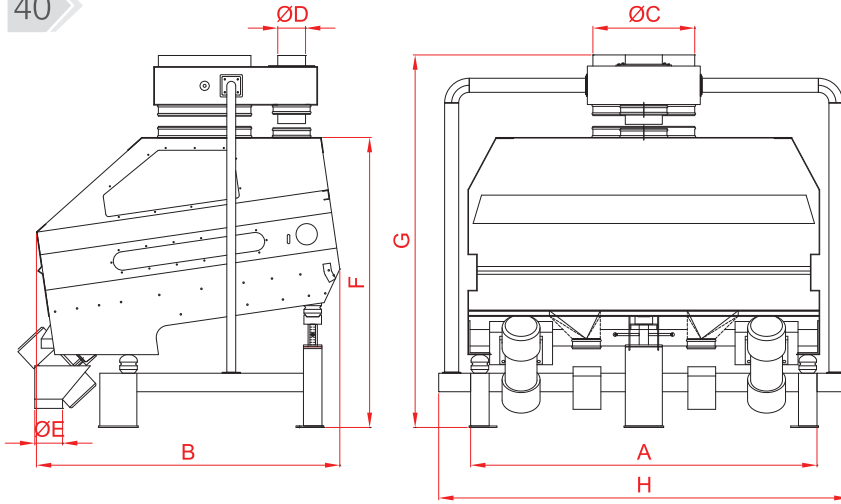


ÖLÇÜLER - DIMENSIONS (mm)							
Tip / Type	A	B	ØC	ØD	E	F	G
Mut-22 D-50	548	1650	350	150	1332	1712	945
Mut-22 D-100	1048	1650	450	150	1332	1712	1445
Mut-22 D-150	1548	1650	550	150	1332	1712	2010

TEKNİK BİLGİLER - TECHNICAL DATA					
Tip / Type	Kapasite Capacity (t/h)	El. Motor (kW)	Gerekli Fan Fan Required (m ³ /min)	Hava Basıncı/Fan Air Pressure/Fan (mm/wg)	Ağırlık Weight (kg)
Mut-22 D-50	9	1x0.35	60	120/220	350
Mut-22 D-100	18	2x0.35	110	120/220	530
Mut-22 D-150	25	2x0.35	160	120/220	750



40



ÖLÇÜLER - DIMENSIONS (mm)								
Tip / Type	A	B	ØC	ØD	ØE	F	G	H
Mut-22 D-60	700	1525	350	120	120	1420	1860	1020
Mut-22 D-120	1300	1525	500	150	120	1420	1860	1620
Mut-22 D-180	1870	1650	550	200	150	1565	2015	2200

TEKNİK BİLGİLER - TECHNICAL DATA					
Tip / Type	Kapasite Capacity (t/h)	El. Motor (kW)	Hacim Volume (m ³)	Hava Basıncı/Fan Air Pressure/Fan (mm/wg)	Ağırlık Weight (kg)
Mut-22 D-60	6-10	2x0.17	3	70	400
Mut-22 D-120	10-16	2x0.34	4.8	120	600
Mut-22 D-180	16-20	2x0.75	6.2	180	750

