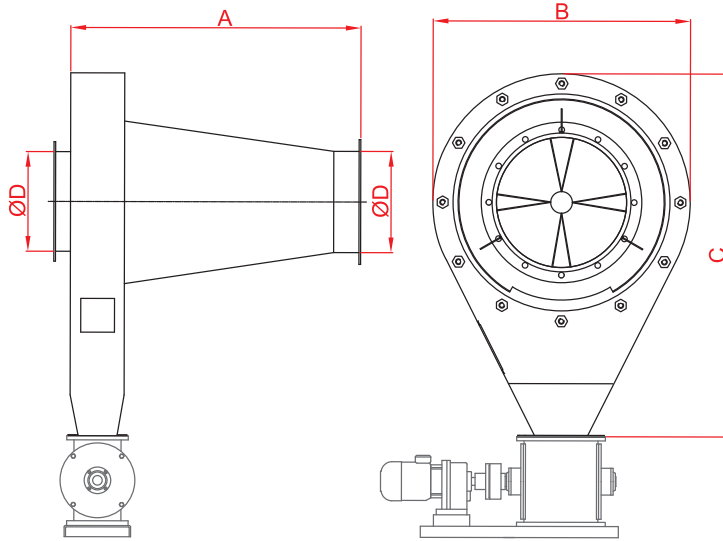


MONO / MONO / MONO



TEKNİK BİLGİLER - TECHNICAL DATA

Tip / Type	A	B	C	ØD	El. Motor (kW)	Hava İhtiyacı Air required (m ³ /min)	Ağırlık Weight (kg)
Mut-19-200	575	390	559	200	0.37	120	45
Mut-19-300	780	584	835	300	0.37	160	62
Mut-19-400	1145	778	1120	400	0.37	200	80
Mut-19-500	1245	906	1335	500	0.37	240	95
Mut-19-750	1867	1360	2030	750	0.37	340	150