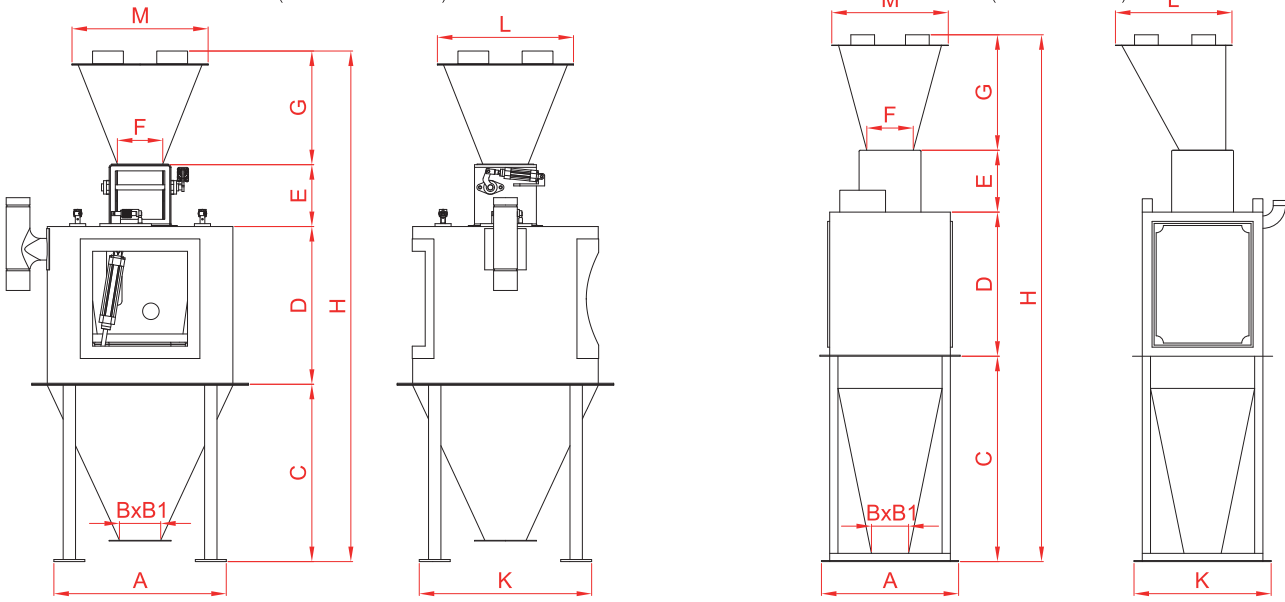


OTOMATİK KANTAR / AUTO SCALE / BALANCE AUTOMATIQUE



Ms-70-(30-60-100-250-500)

Ms-70-(700-1500-2000)



ÖLÇÜLER - DIMENSIONS (mm)

Tip / Type	A	BxB1	C	D	E	F	G	H	K	L	M
Ms-70-30	715	Ø200	708	592	300	220	555	2155	715	500	500
Ms-70-60	765	Ø200	708	692	300	220	555	2255	765	500	500
Ms-70-100	835	Ø200	810	765	300	220	555	2430	835	500	500
Ms-70-250	1119	Ø300	1158	935	360	280	900	3353	1119	1000	1000
Ms-70-500	1260	Ø400	1560	1240	660	465	809	4265	1260	1060	1060
Ms-70-700	1875	510	1550	1000	425	810	1200	4180	1100	1200	1205
Ms-70-1500	1860	605	1860	1450	425	805	1660	5390	1350	1525	1525
Ms-70-2000	2160	605	1900	1450	425	805	2200	5980	2160	2000	2000

TEKNİK BİLGİLER - TECHNICAL DATA

Tip / Type	Ürün / Product	Kapasite Capacity Bunker-B (lt.)	Kapasite / Capacity (t/h)			Aspirasyon Aspiration (m³)	Hava İhtiyacı Air Equipm. bar	Ağırlık Weight (kg)
			Buğday Wheat	Un Flour	Kepek Bran			
Ms-70-30	Buğday - Un - Kepek Wheat - Flour - Bran	30	2-5	0-3	0-1,5	8	5-6	350
Ms-70-60	Buğday - Un - Kepek Wheat - Flour - Bran	60	3-10	1-6	1-3	10	5-6	450
Ms-70-100	Buğday - Un - Kepek Wheat - Flour - Bran	100	5-25	4-15	2-6	12	5-6	525
Ms-70-250	Buğday - Un - Kepek Wheat - Flour - Bran	250	10-50	6-30	3-15	12	5-6	525
Ms-70-500	Buğday / Wheat	500	50-100	-	-	16	5-6	675
Ms-70-700	Buğday / Wheat	700	100-150	-	-	20	5-6	720
Ms-70-1500	Buğday / Wheat	1500	150-300	-	-	28	5-6	810
Ms-70-2000	Buğday / Wheat	2000	350-450	-	-	36	8-10	1100