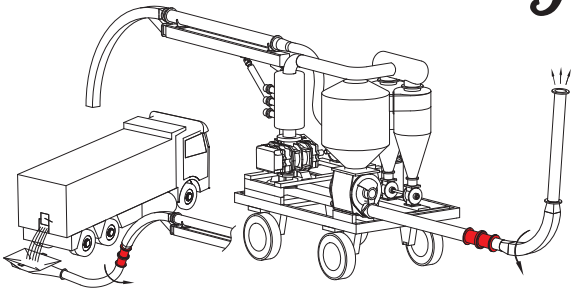


MOBİL PNÖMATİK NAKİL ÜNİTELERİ / MOBILE PNEUMATIC TRANSPORTATION UNITS /
 UNITE MOBILE DE TRANSPORT PNEUMATIQUE

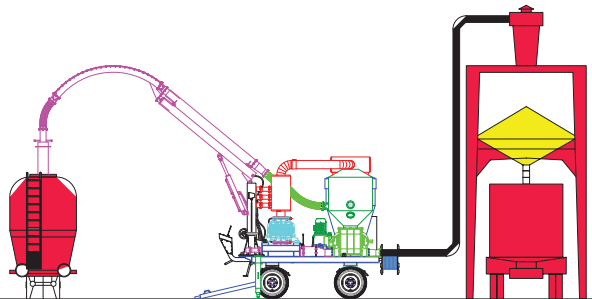


elephant®

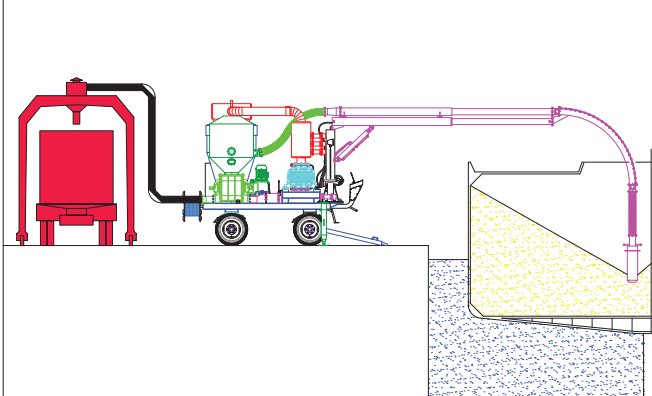


73

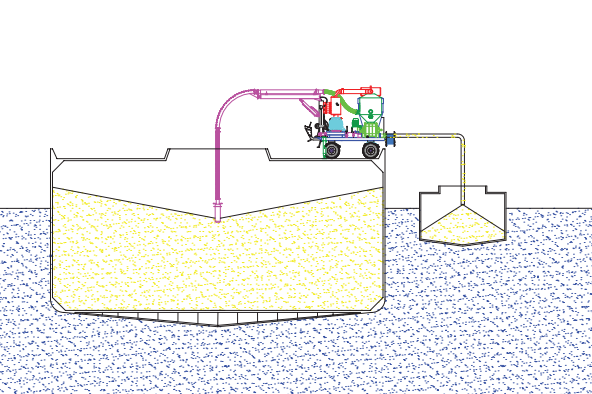
From Train to Truck
 Du train au camion



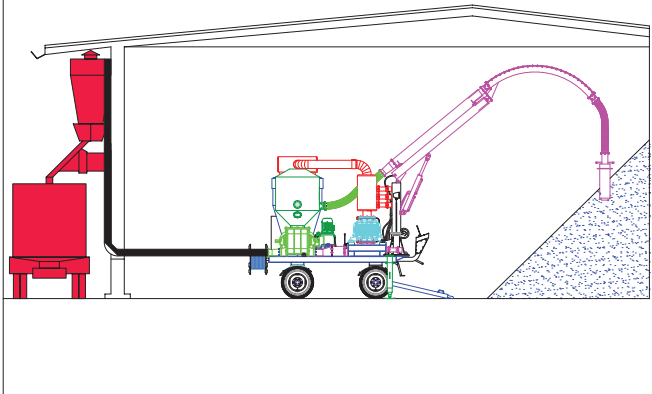
From Vessel to Truck
 Du conteneur au camion



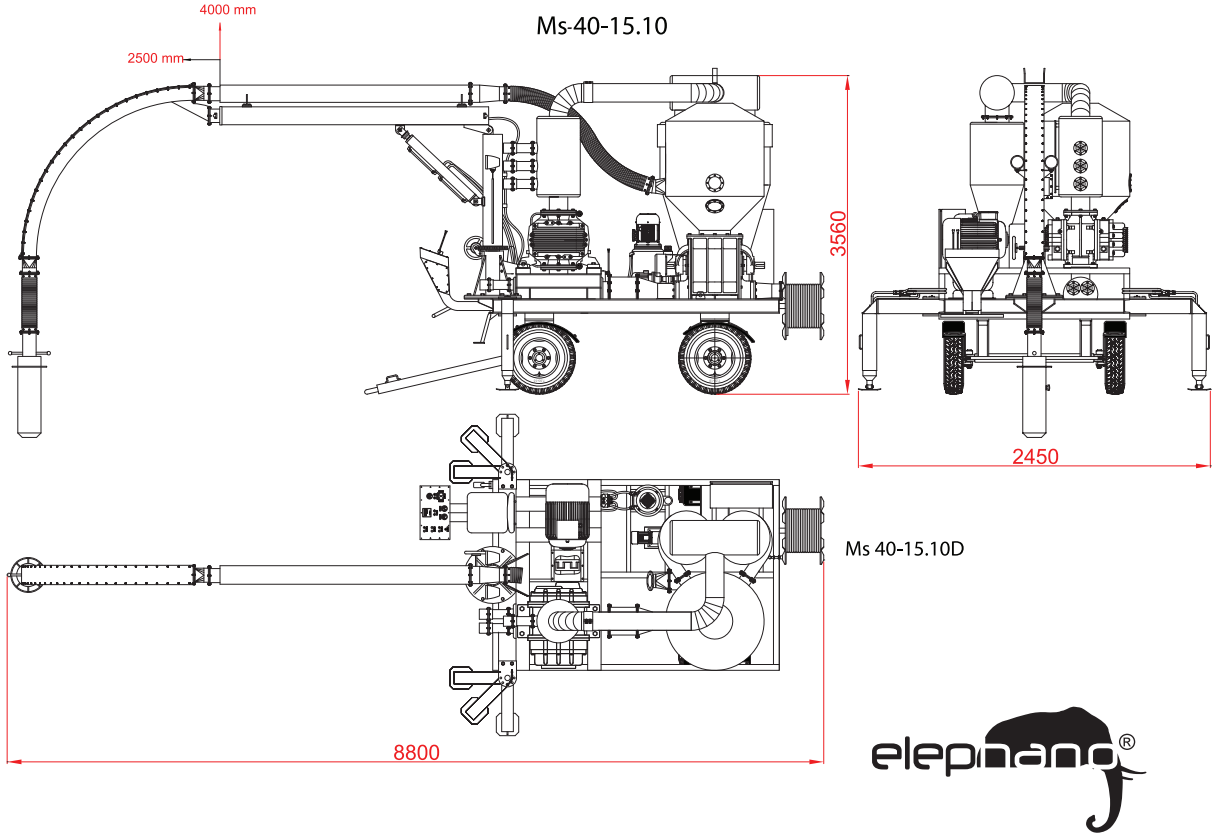
From Vessel to Vessel
 Du conteneur au conteneur



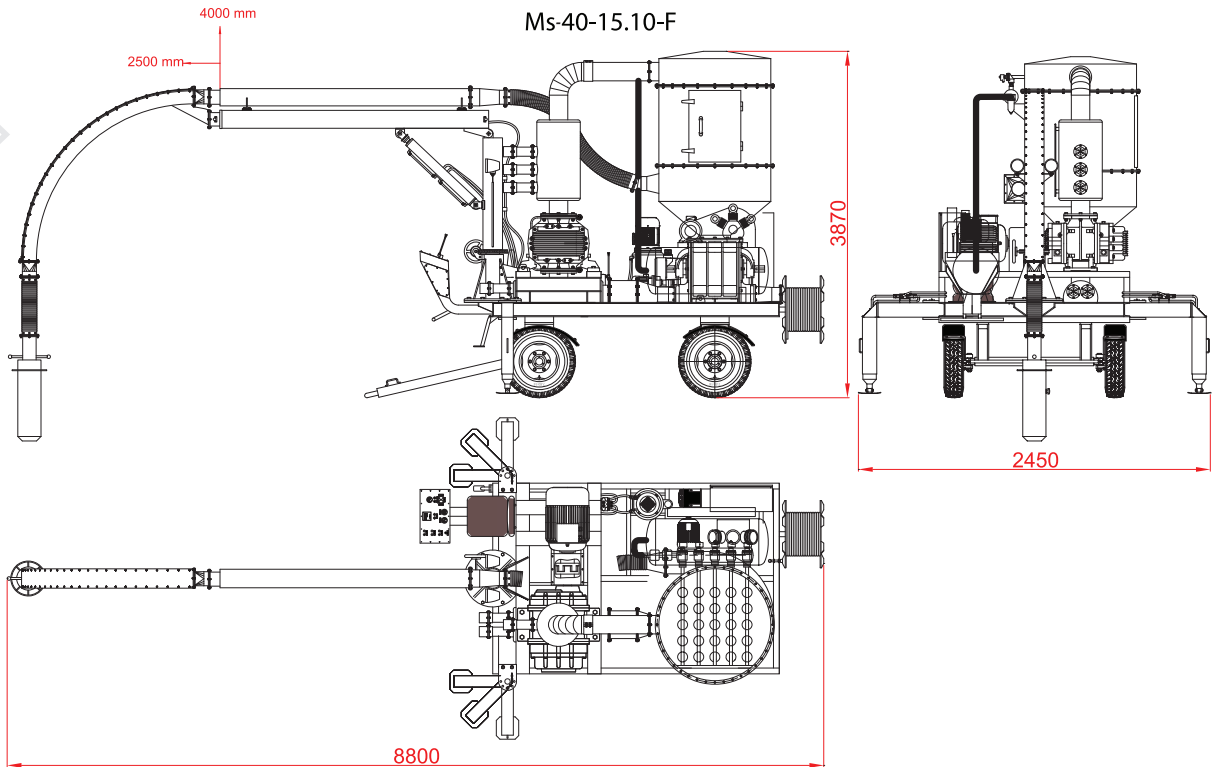
From Storage to Truck
 De l'entrepôt au camion



MOBİL PNÖMATİK NAKİL ÜNİTELERİ / MOBILE PNEUMATIC TRANSPORTATION UNITS /
UNITE MOBILE DE TRANSPORT PNEUMATIQUE



74



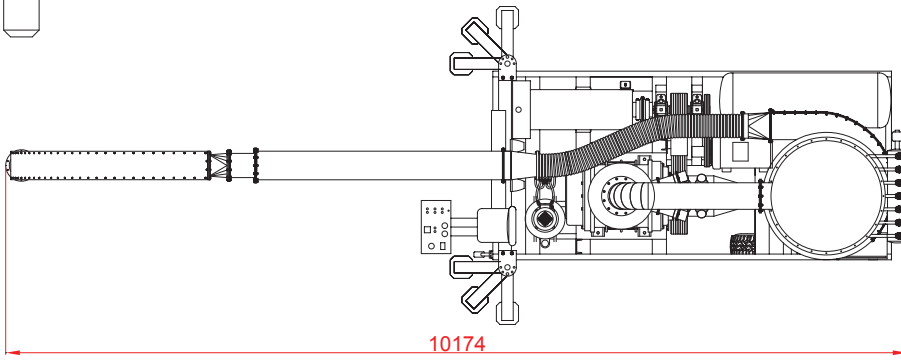
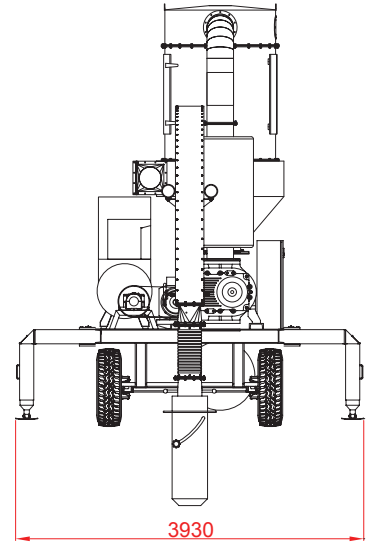
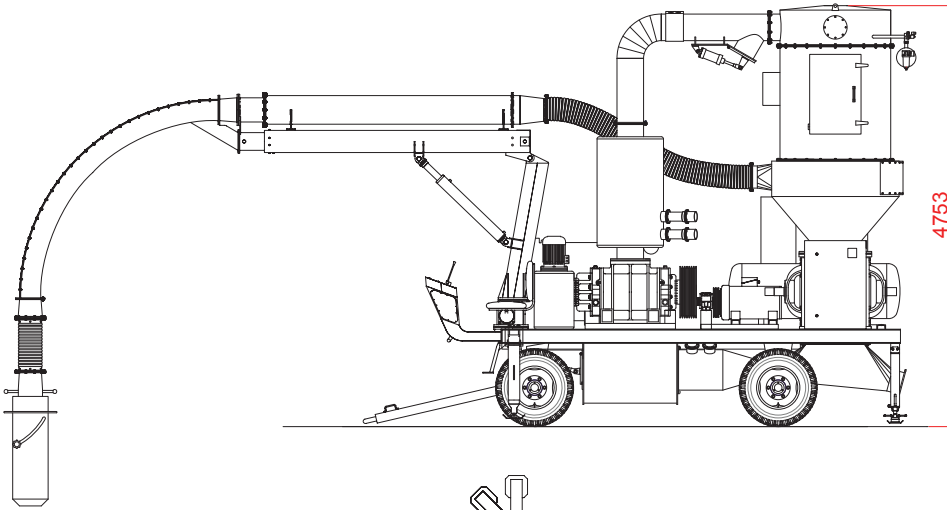
TEKNİK BİLGİLER - TECHNICAL DATA

Tip / Type	A	B	C	Capacity (t/h) max.	Air-lock (Rotary Valve)	Roots Pump (Blower)	Weight (kg.)
Ms-40-15.10	8800	2450	3560	50	50/53	15.10	6000
Ms-40-15.10-F*	8800	2450	3870	50	50/53	15.10	6000
Ms-40-16f13-F*	10174	3930	4753	150	65/70	16f13	9940

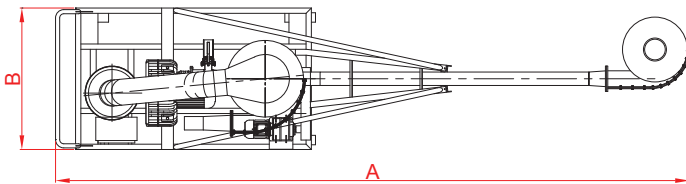
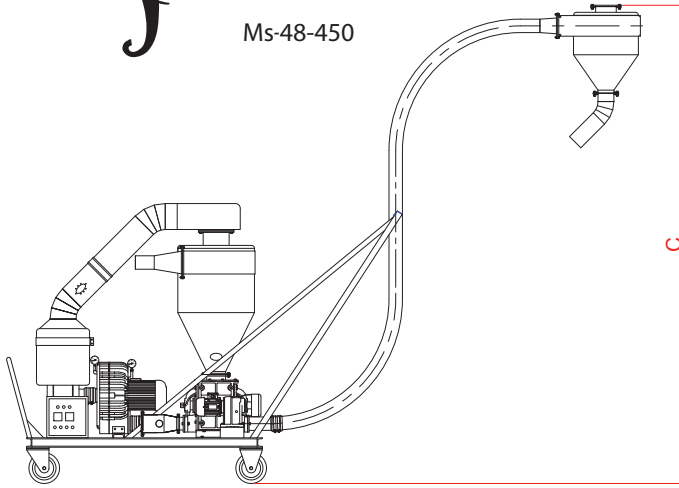
F* = Filtreli - With Filter - Avec Filtre

MOBİL PNÖMATİK NAKİL ÜNİTELERİ / MOBILE PNEUMATIC TRANSPORTATION UNITS /
UNITE MOBILE DE TRANSPORT PNEUMATIQUE

Ms-40-16f13-F



Ms-48-450

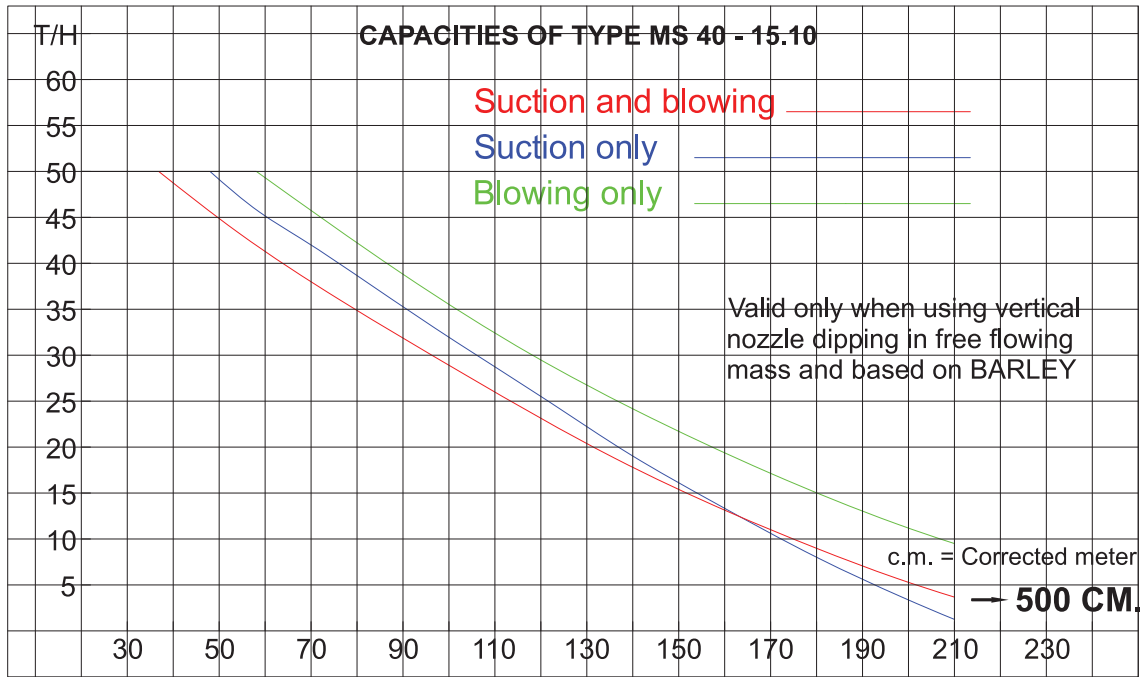


75



TEKNİK BİLGİLER - TECHNICAL DATA

Tip / Type	A	B	C
Ms-48-450	5375	1200	4056



INSTRUCTION FOR USE OF GRAPHS.

· **Vertical axis** : capacity in metric tons/hour
 · **Horizontal axis** : transport distances, computed in corrected meters (c.m).
 Vertical, horizontal and inclined transport distances as well as pressure losses such as elbows, curves, cyclones etc... must be converted into corrected meters to obtain a total for use in graphical interpretation.

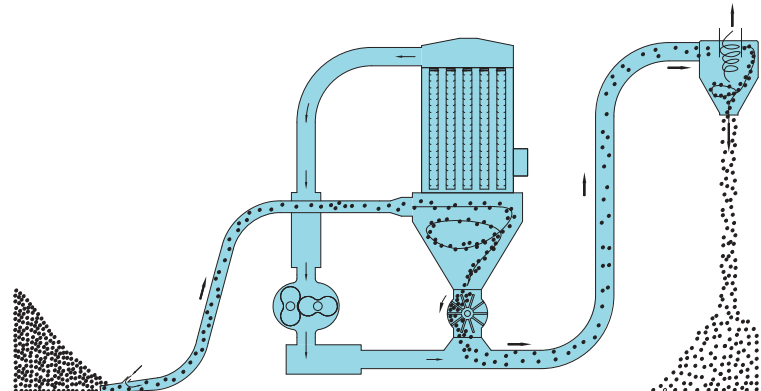
1 meter horizontal blowing.....	=	1 cm.
1 meter horizontal suction.....	=	1,5 cm.
1 meter vertical suction.....	=	4 cm.
1 meter vertical blowing.....	=	1,5 cm.
90° elbow, rigid or flexible.....	=	13 cm.
60° elbow, rigid or flexible	=	9,5 cm.
45° elbow, rigid or flexible	=	6,5 cm.
30° elbow, rigid or flexible	=	4,9 cm.
discharge cyclone.....	=	26 cm.

With nozzles nr 22, nr 22 S, nr 23, it is advised to multiply the resulting capacity by 0.8.
 Corrected capacities for inclined tubes between +5° and +80° are calculated by adding the horizontal and vertical coordinates.

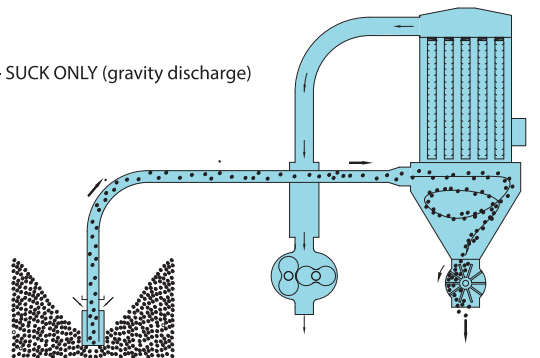
Temperature correction : For every 5°C increment above 18°C capacity must be reduced by 1 %.
Altitude correction : For every 200 m increment above sea level, capacity must be reduced by 1 %.
Graps are based on handling of barley :
 for maize, clean soja beans, dry peas: add 3% to capacity - for wheat, subtract 2% from capacity - for milo, subtract 6% from capacity - for rapeseed, subtract 15% from capacity.



1 - SUCK AND BLOW



2 - SUCK ONLY (gravity discharge)



3 - BLOW ONLY (gravity feed)

