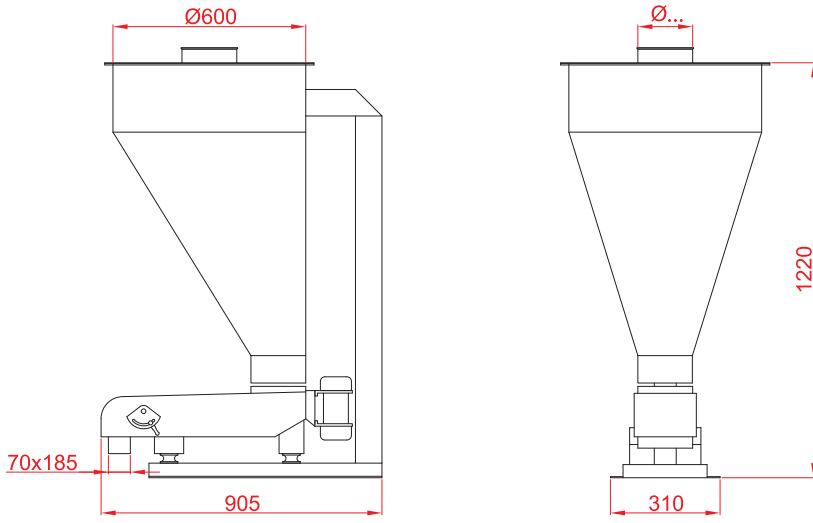


# VİBRO BESLEYİCİ / VIBRO FEEDER / DISTRIBUTEUR VIBREUR



## TEKNİK BİLGİLER - TECHNICAL DATA

Tip / Type	El. Motor (kW)	Ağırlık Weight (kg)
Mud-19	0.085	82

