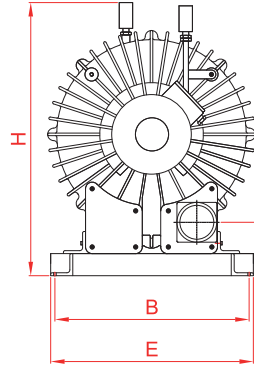
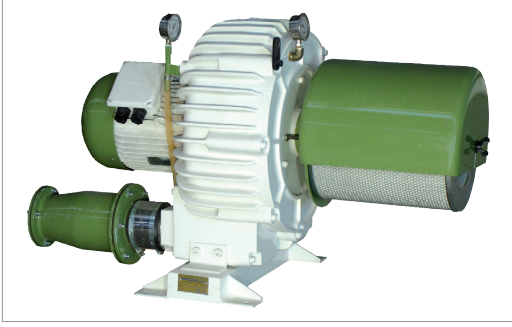
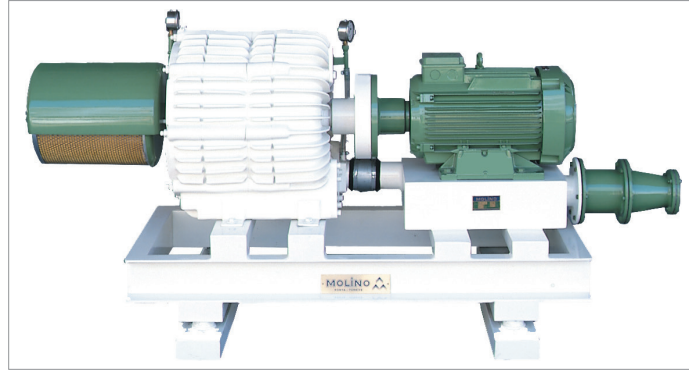
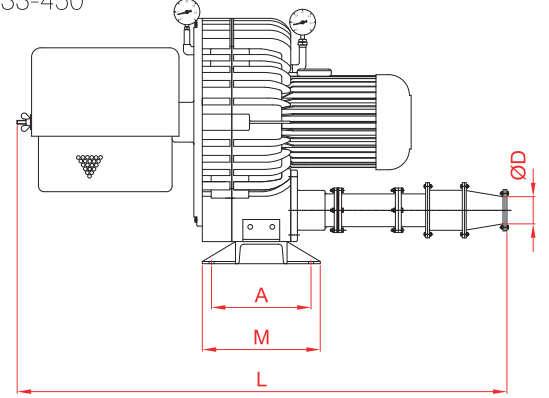


SANTRİFÜJ KOMPRESÖR / CENTRIFUGAL COMPRESSOR / SURPRESSEUR CENTRIFUGE

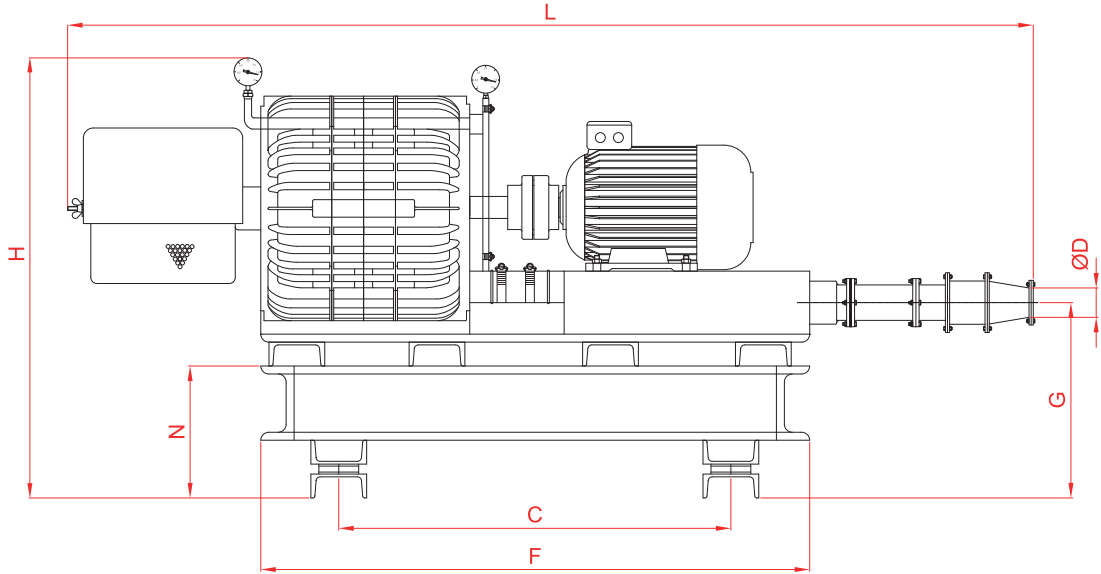


Ms-33-400
Ms-33-450



Ms-33-400 D

72



ÖLÇÜLER - DIMENSIONS (mm)

Tip / Type	A	B	C	ØD	E	F	G	H	L	M	N
Ms-33-400	270	455	-	83	500	-	135	625	1110	320	-
Ms-33-450	270	490	-	108	545	-	135	695	1130	320	-
Ms-33-400 D	-	-	870	80	745	1300	380	920	1600	-	260

TEKNİK BİLGİLER - TECHNICAL DATA

Tip / Type	Hava Hacmi Volume Of Air (m ³ /min.)	Basınç Pressure Δ P(+)	Vakum Vacuum Δ P(-)	El. Motor (kW)	Ağırlık Weight (kg)
Ms-33-400	0 - 10	460	260	4 - 7.5	115
Ms-33-450	0 - 15	600	400	7.5 - 11	155
Ms-33-400 D	0 - 10	700	400	7.5 - 15	340