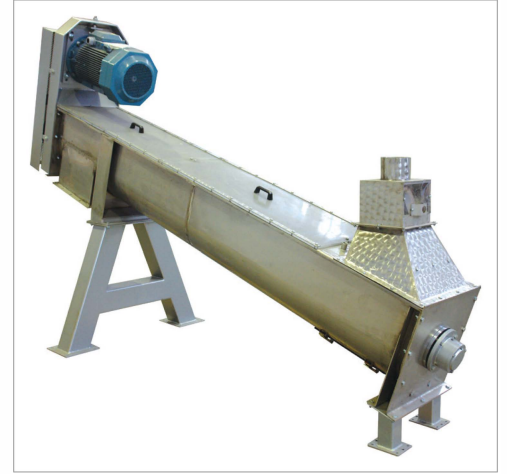
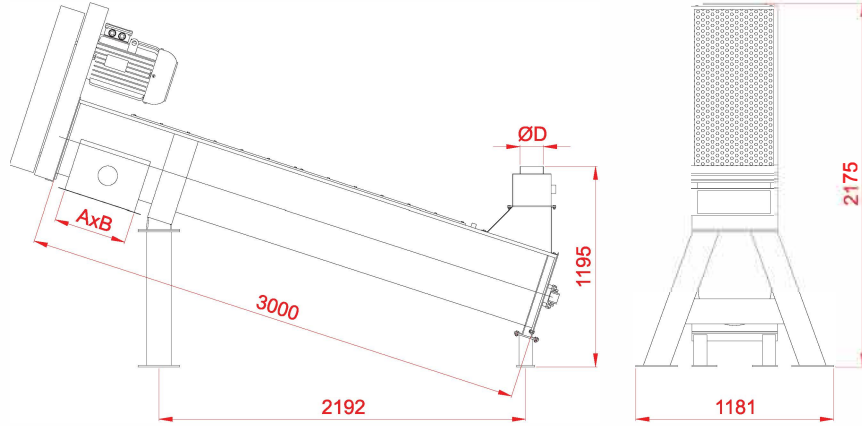


PALETLİ TAVLAMA / PADDLE TEMPERING / MOUILLEUR INCLINE A PALETTES



TEKNİK BİLGİLER - TECHNICAL DATA

Tip / Type	AxB	ØD	Kapasite Capacity (t/h)	Helezon Çap Screw Diameter	El. Motor (kW)	Ağırlık Weight (kg)
Mut-53-10	280x280	120	10	300	7,5 - 11	310
Mut-53-15	330x330	150	15	350	11 - 15	375
Mut-53-20	380x380	200	20	400	15 - 18,5	400