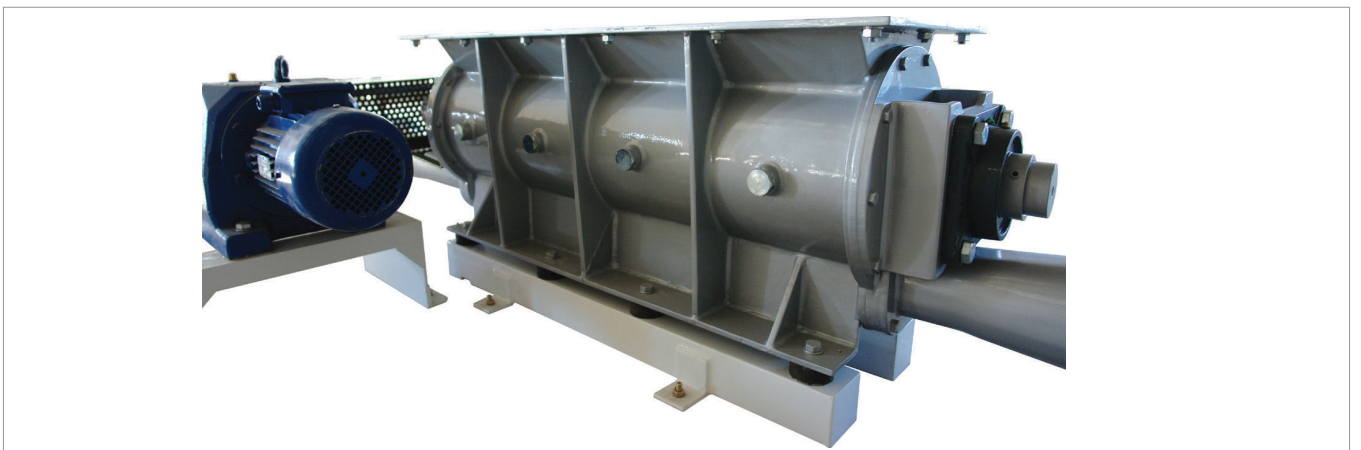
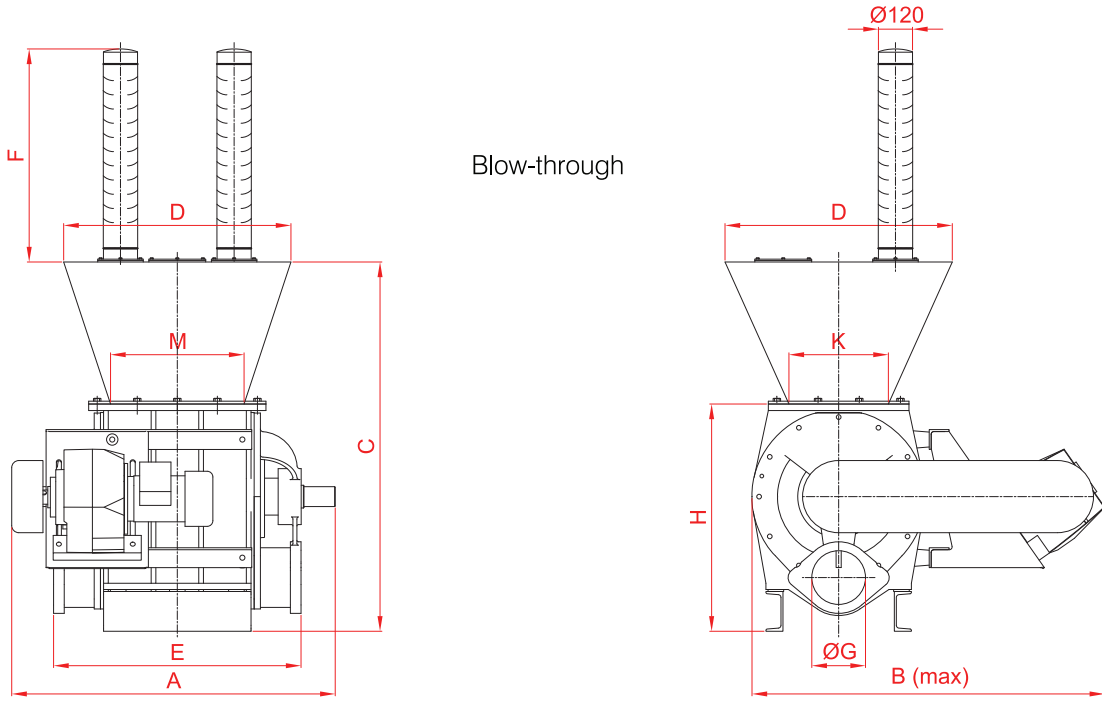


EKLÜS (DÖNER VANA) / AIR LOCK (ROTARY VALVE) / ECLUSE D'AIR



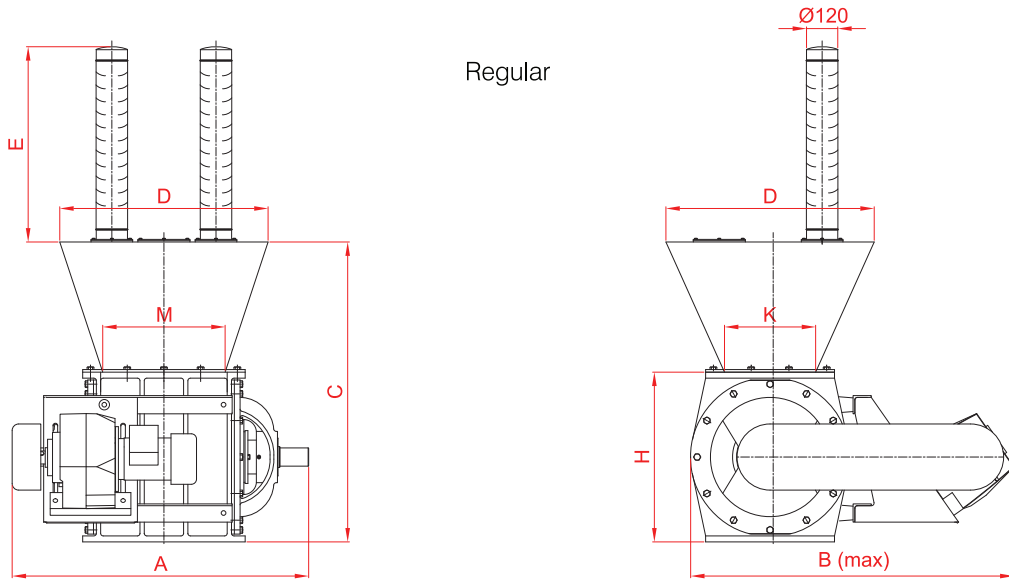
# EKLÜS (DÖNER VANA) / AIR LOCK (ROTARY VALVE) / ECLUSE D'AIR



## TEKNİK BİLGİLER - TECHNICAL DATA

Tip / Type	A	B (max)	C	D	E	F	ØG	H	K	M	Hacim Volume (lt/rev.)	El. Motor (kW)	Ağırlık Weight (kg)
Ms-15-22/22	525	667	662	360	408	750	83	387	170	200	6	0.55	134
Ms-15-28/30	657	820	830	460	532	750	102	480	220	270	12	1.1	270
Ms-15-36/38	750	915	905	390	657	750	133	555	255	350	27	1.5	385
Ms-15-50/53	1138	1240	1300	800	871	1500	190	800	354	486	77	3	830
Ms-15-65/70	1523	1590	1816	1200	1134	1500	250	1016	460	640	180	4	1500

62



## TEKNİK BİLGİLER - TECHNICAL DATA

Tip / Type	A	B (max)	C	D	E	H	K	M	Hacim Volume (lt/rev.)	El. Motor (kW)	Ağırlık Weight (kg)
My-11-22/22	525	667	595	360	750	320	170	200	6	0.55	80
My-11-28/30	657	820	760	460	750	410	220	270	12	1.1	180
My-11-36/38	750	915	820	390	750	470	255	350	27	1.5	275
My-11-50/53	1138	1240	1160	800	1500	660	354	486	77	3	785
My-11-65/70	1523	1590	1625	1200	1500	850	460	640	180	4	1400