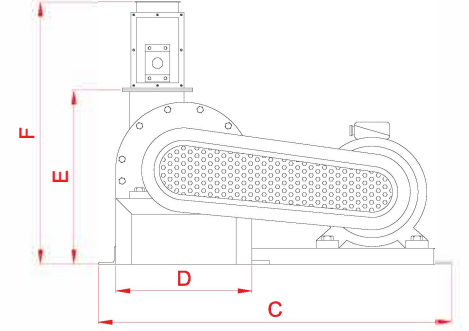
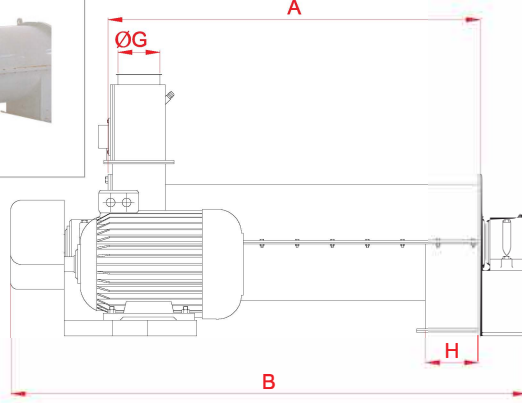
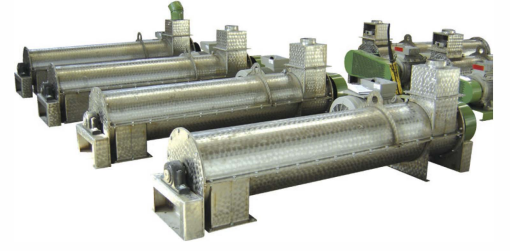


CEBRİ TAV / INTENSIVE DAMPENER / MOUILLEUR INTENSIF



TEKNİK BİLGİLER - TECHNICAL DATA

Tip / Type	A	B	C	D	E	F	ØG	H	Kapasite Capacity (t/h)	Nem Kazancı Moisture Gain (%)	El. Motor (kW)	Ağırlık Weight (kg)
Mut-15-30/100	1050	1470	1000	386	495	745	120	150x150	2 - 5	4 - 5	4 - 5.5	150
Mut-15-30/200	2150	2570	1000	386	495	745	120	150x150	6 - 9 - 12	4 - 5	5.5 - 7.5 - 11	245
Mut-15-46/200	2160	2580	1088	520	615	875	150	250x250	12 - 30	4 - 5	11 - 22	450