



**PATENTED**

Valek'siz Test  
Test Without Valek  
Test Sans Valek

Valek'li Test  
Test With Valek  
Test Avec Valek

A	B	I	J	K	I	J	K
B1		28.50	8.30	70.87	31.50	8.70	72.38
B1		29.00	8.55	70.51	33.55	9.30	72.28
B3		25.65	8.45	67.05	31.45	9.05	71.22
B4		19.75	6.30	68.10	21.55	6.50	69.83
CL1		29.55	8.50	71.23	33.50	9.05	72.98
CL2	1	29.40	8.50	71.08	33.75	9.15	72.88
CL2	2	28.80	8.40	70.83	29.95	8.50	71.61
CL3		24.00	7.70	67.91	25.15	7.85	68.78
CL4	1	13.50	4.45	67.03	14.80	4.50	69.59
CL4	2	8.90	3.00	66.29	10.20	3.15	69.11
C1	1	30.30	8.70	71.28	31.50	8.85	71.90
C1	2	28.00	8.30	70.35	30.30	8.50	71.66
C2	1	26.20	8.20	68.70	30.70	8.65	71.82
C2	2	26.35	8.05	69.44	30.85	8.55	72.28
C2	3	22.60	7.25	67.92	26.00	7.60	70.76
C3	1	16.05	5.35	66.66	19.15	5.95	68.92
C3	2	14.50	4.90	66.20	16.55	5.40	67.37
C4		8.90	3.20	64.04	10.50	3.80	63.80
C5		7.50	2.80	62.66	10.00	3.45	65.50
Asp. Br. Pl.		10.10	3.45	65.84	6.00	2.15	64.16
BN		-	-	-	-	-	-
Fin Son		-	-	-	-	-	-
Gras Son		-	-	-	-	-	-

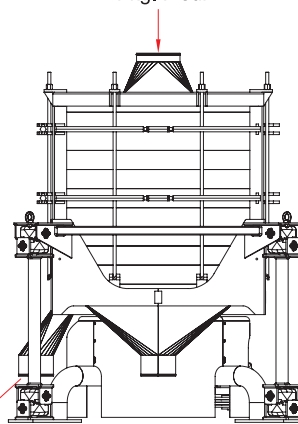
A : Sections  
B : Number of section  
I : Wet gluten %  
J : Dry gluten %  
K : Coeff. of evaporation %

12



**Without Valek**  
**MATERIAL 3 kg.**

1 kg. Bran  
1 kg. Semolina  
1 kg. Flour



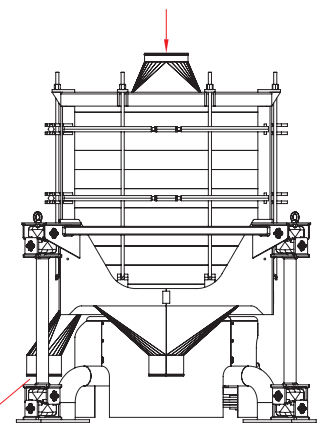
Time : 60 sec.

1,5 kg.

Refuse

**With Valek**  
**MATERIAL 3 kg.**

1,5 kg. Semolina  
1,5 kg. Flour



Time : 30 sec.

2,5 kg.

Refuse

100 t. / 24 h.



Without Valek  
30 t. / 24 h.



+

130 t. / 24 h.

100 t. / 24 h.



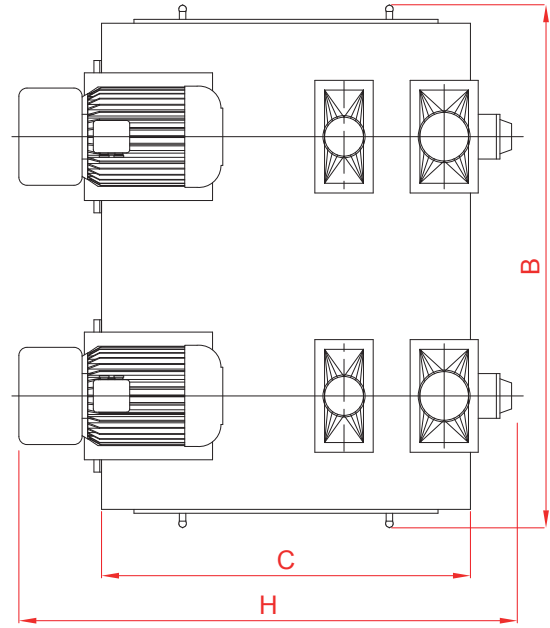
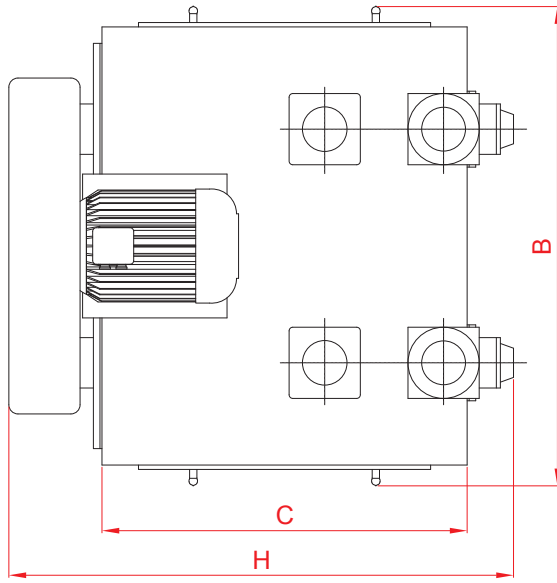
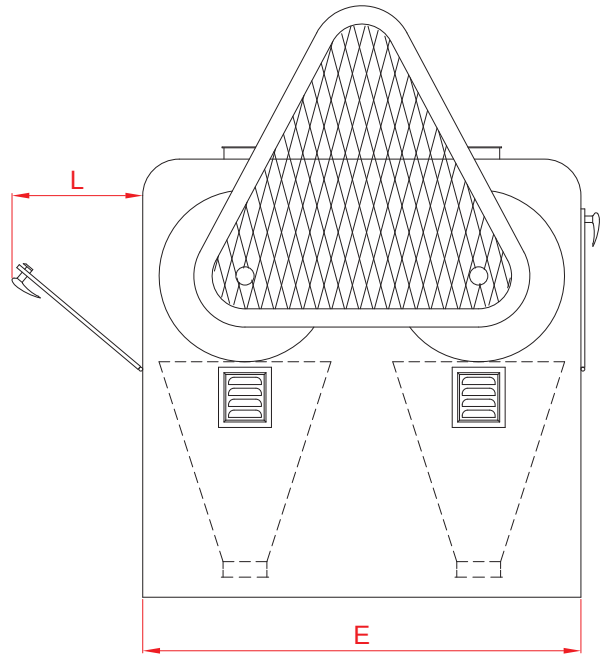
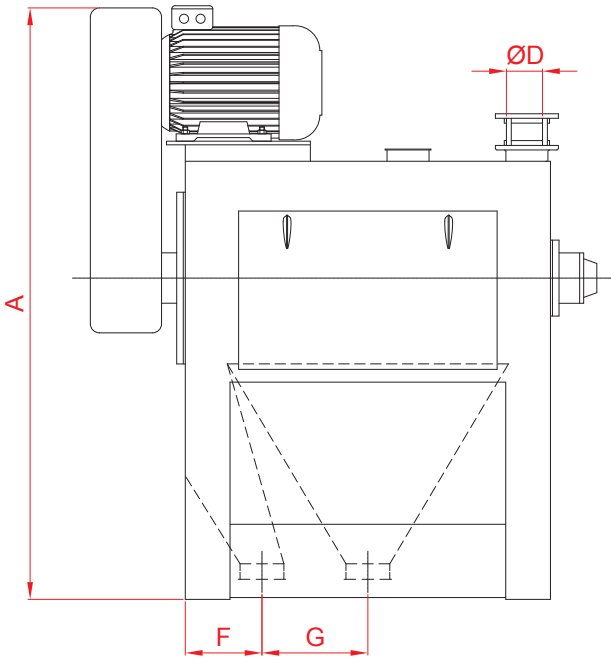
With Valek  
30 t. / 24 h.



+

130 t. / 24 h.

PATENTED



13

ÖLÇÜLER - DIMENSIONS (mm)

Tip / Type	A	B	C	ØD	E	F	G	H
Mud-14-300	1620	1090	1000	120	960	210	290	1390
Mud-14-400	1620	1320	1000	150	1200	210	290	1390
Mud-14-500	1620	1620	1000	200	1500	210	290	1390

TEKNİK BİLGİLER - TECHNICAL DATA

Tip / Type	Kapasite Capacity (t/h)	Kırma Alanı Breaking Area (m <sup>2</sup> )	Eleme Alanı Sifting Area (m <sup>2</sup> )	El. Motor (kW)	Ağırlık Weight (kg)
Mud-14-300	7	2x0.226	2x0.410	4 - 7,5	800
Mud-14-400	9,5	2x0.301	2x0.559	5,5 - 11	850
Mud-14-500	12	2x0.375	2x0.707	7,5 - 15	1400