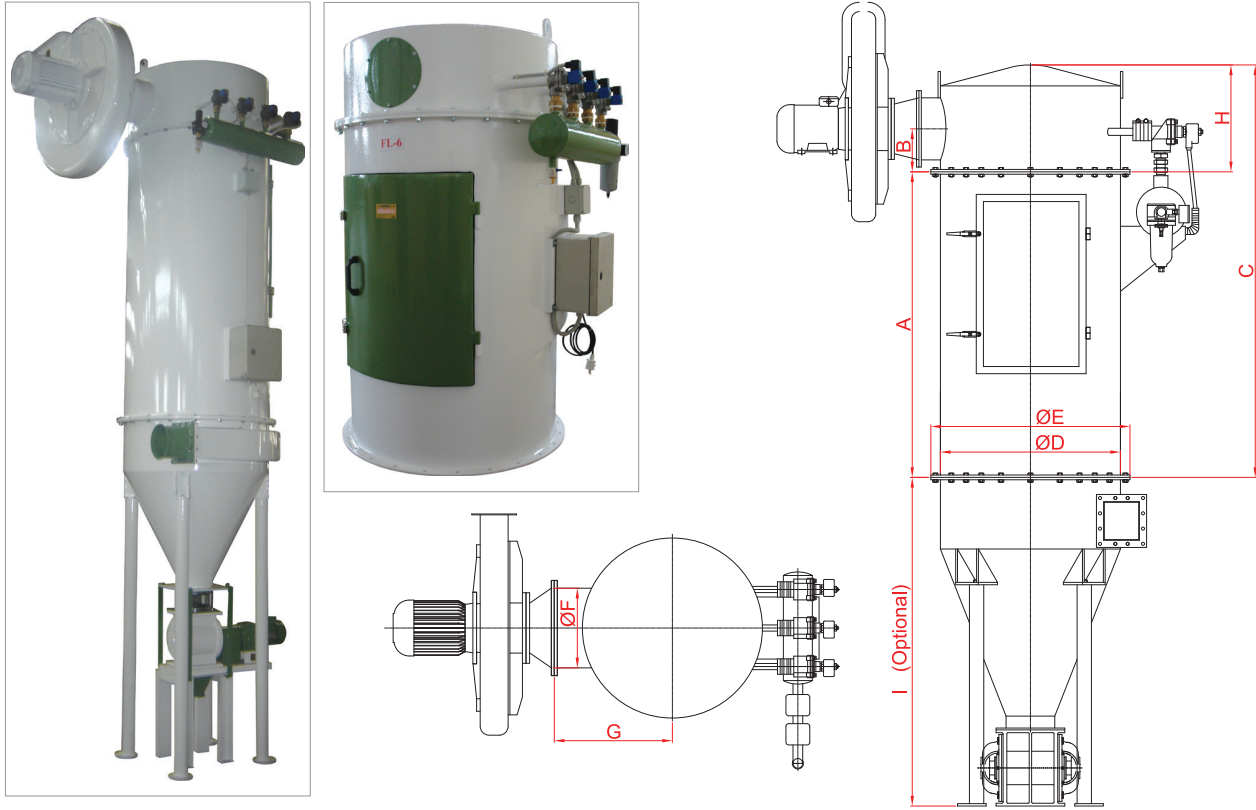


HAVA ŞOKLU FİLTRE / JET IMPULSE FILTER / FILTRE A JET D'AIR



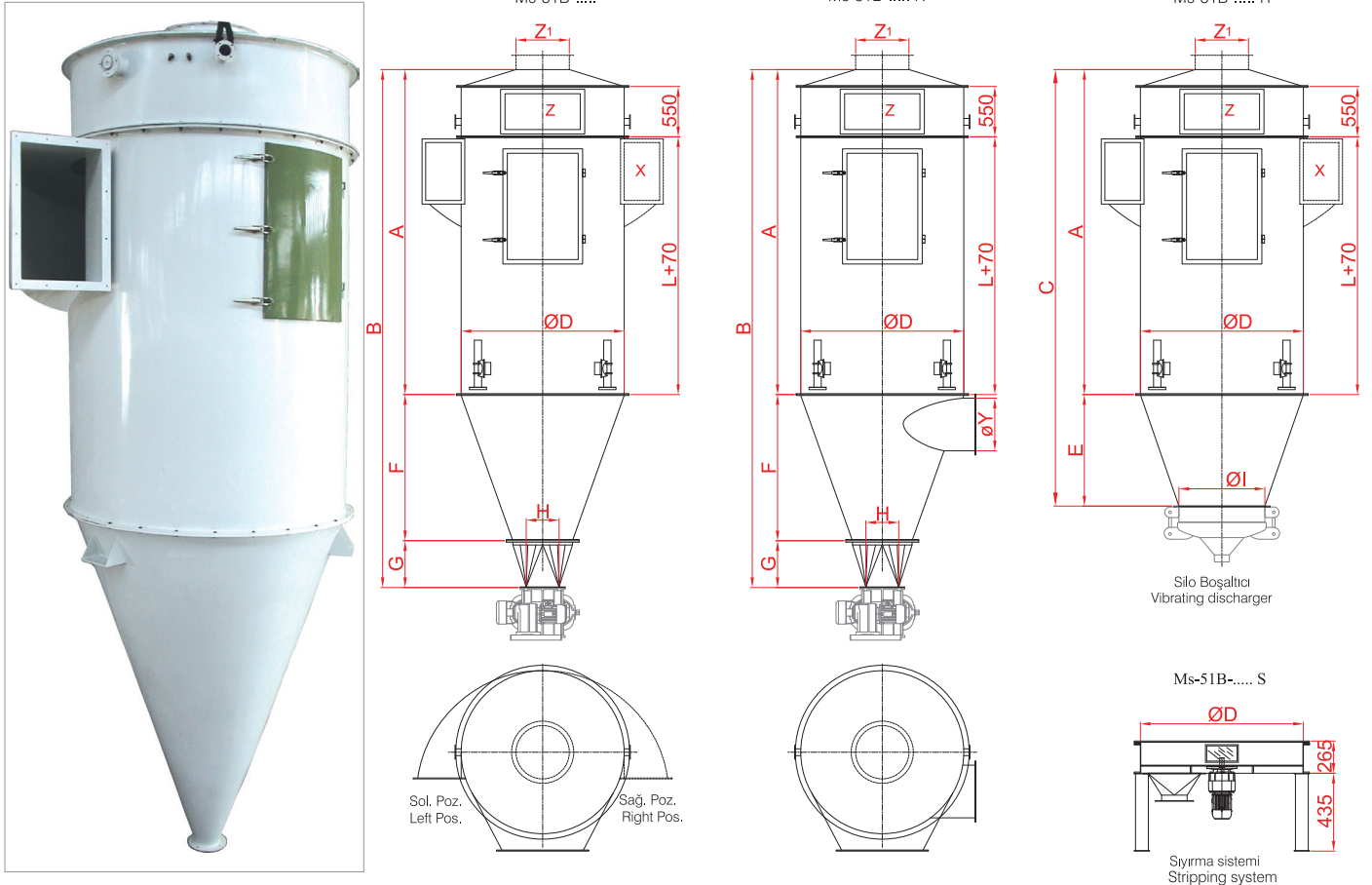
ÖLÇÜLER - DIMENSIONS (mm)

Tip / Type	A	B	C	ØD	ØE	ØF	G	H	I
Ms-51A - 4/800	890	115	1140	506	586	130	315	250	1000
Ms-51A - 4/1200	1290	115	1540	506	586	130	315	250	1000
Ms-51A - 6/800	890	115	1140	600	680	160	370	250	1280
Ms-51A - 6/1200	1290	115	1540	600	680	160	370	250	1280
Ms-51A - 9/800	890	115	1140	754	834	160	467	250	1550
Ms-51A - 9/1200	1290	115	1540	754	834	160	467	250	1550
Ms-51A - 12/1200	1290	155	1620	870	950	250	525	330	1600
Ms-51A - 12/1600	1690	155	2020	870	950	250	525	330	1600
Ms-51A - 16/1200	1290	155	1620	1080	1160	250	630	330	1980
Ms-51A - 16/1600	1690	155	2020	1080	1160	250	630	330	1980
Ms-51A - 25/1600	1690	155	2020	1250	1330	250	730	330	1980
Ms-51A - 36/1600	1690	225	2200	1250	1330	300	730	510	2270
Ms-51A - 45/800	890	225	1240	1250	1330	300	730	355	1470
Ms-51A - 45/1200	1290	225	1740	1250	1330	300	730	450	1870

TEKNİK BİLGİLER - TECHNICAL DATA

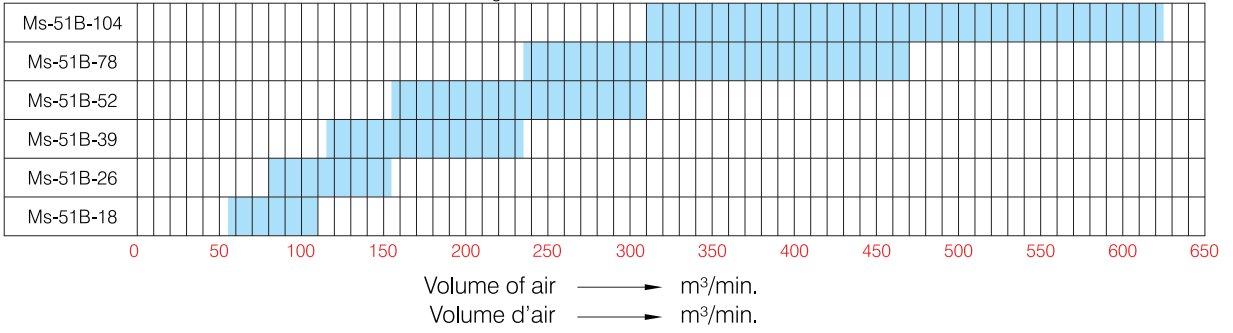
Tip / Type	Torba Adedi Number of sleeves	Torba uzunluğu Length of sleeves (mm)	Torba Sleeves Ø(mm)	Filtre Alanı Surface of filter (m ²)	Debi Flow-rate max. (m ³ /min.)	Aspiratör Ventilatör (220 mm.wg.)	Aspiratör motoru Ventilatör motor	
							kW	d/d rpm.
Ms-51A - 4/800	4	800	120	1.2	5.5	10 m ³ /min.	0.75	3000
Ms-51A - 4/1200	4	1200	120	1.8	8	15 m ³ /min.	1.1	3000
Ms-51A - 6/800	6	800	120	1.8	8	15 m ³ /min.	1.1	3000
Ms-51A - 6/1200	6	1200	120	2.71	13	20 m ³ /min.	1.5	3000
Ms-51A - 9/800	9	800	120	2.71	13	20 m ³ /min.	1.5	3000
Ms-51A - 9/1200	9	1200	120	4.07	19	25 m ³ /min.	2.2	3000
Ms-51A - 12/1200	12	1200	120	5.42	25	30 m ³ /min.	2.2	3000
Ms-51A - 12/1600	12	1600	120	7.23	35	45 m ³ /min.	3	3000
Ms-51A - 16/1200	16	1200	120	7.23	35	45 m ³ /min.	3	3000
Ms-51A - 16/1600	16	1600	120	9.65	46	60 m ³ /min.	4	3000
Ms-51A - 25/1600	25	1600	120	15.07	72	90 m ³ /min.	5.5	3000
Ms-51A - 36/1600	36	1600	120	21.71	104	130 m ³ /min.	7.5	3000
Ms-51A - 45/800	45	800	120	13.55	65	80 m ³ /min.	7.5	3000
Ms-51A - 45/1200	45	1200	120	20.35	97	120 m ³ /min.	7.5	3000

HAVA ŞOKLU FİLTRE / JET IMPULSE FILTER / FILTRE A JET D'AIR



64

Tozlu hava debisi m³/d, 3-6m³/m²/d eleme yüzeyi ve 3m. torba uzunluğuna göre
 Dustladen air flow m³/min, with 3 to 6m³/m²/min, based on 3m. sleeve length.
 Flux d'air m³ / min, avec 3 a 6 m³ / m² / min. Basé sur 3 m. Longueur des manches.



Volume of air → m³/min.
 Volume d'air → m³/min.

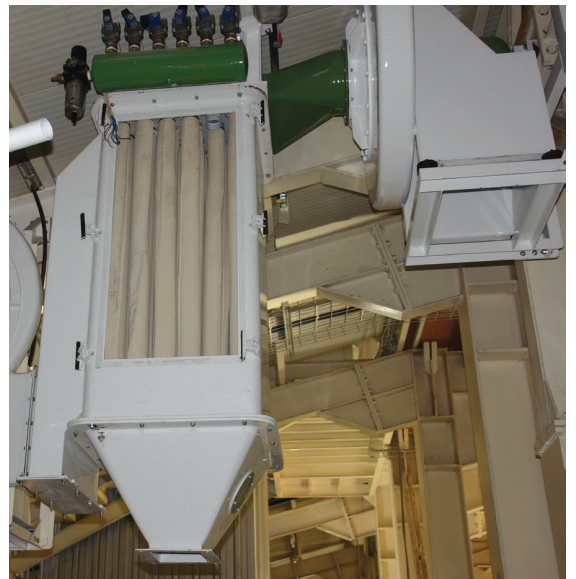
TEKNİK BİLGİLER - TECHNICAL DATA

TYPE(*Number of sleeves)	Ms-51B-18*	Ms-51B-26*	Ms-51B-39*	Ms-51B-52*	Ms-51B-78*	Ms-51B-104*
Lenght of Sleeve L mm	1800 2400 3000	1800 2400 3000	1800 2400 3000	1800 2400 3000	1800 2400 3000	1800 2400 3000
Filtering area m ²	11,5 15,5 18	16,6 22,4 26	25 33,5 39	33,3 44,7 52	50 67 78	66 89 104
A mm	2600 3200 3800	2600 3200 3800	2608 3208 3808	2628 3228 3828	2700 3300 3900	2747 3347 3947
B mm	3710 4310 4910	3920 4520 5120	4266 4866 5466	4506 5106 5706	5130 5730 6330	5281 5881 6481
C mm	- - -	- - -	- - -	- - -	5610 6210 6810	5811 6411 7011
ØD mm	1000	1150	1340	1500	1840	2020
E mm	-	-	-	-	480	530
F mm	725	935	1658	1878	2430	2534
G mm	385	385	385	385	385	385
H mm	220x270	220x270	220x270	220x270	220x270	220x270
I mm	-	-	-	-	Ø970	Ø970
X mm	250x400	270x500	300x650 / 300x1100	360x750 / 360x1250	500x800 / 500x1250	500x800 / 500x1550
Y mm	Ø200 - Ø350	Ø250 - Ø425	Ø300 - Ø500	Ø325 - Ø600	Ø400 - Ø700	Ø600 - Ø800
Z mm	450x450	450x500	450x600	450x750	450x850	450x1050
Z1 mm	Ø400	Ø450	Ø500 / Ø600	Ø650 / Ø700	Ø700 / Ø800	Ø750 / Ø850

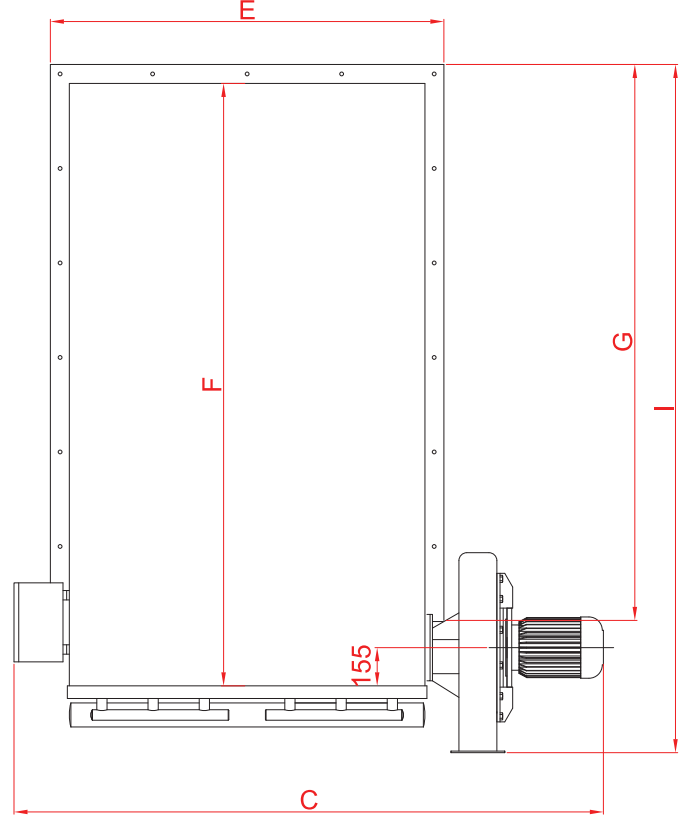
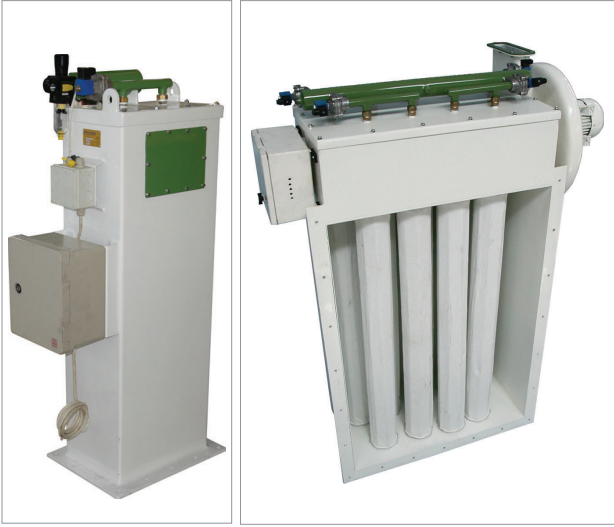
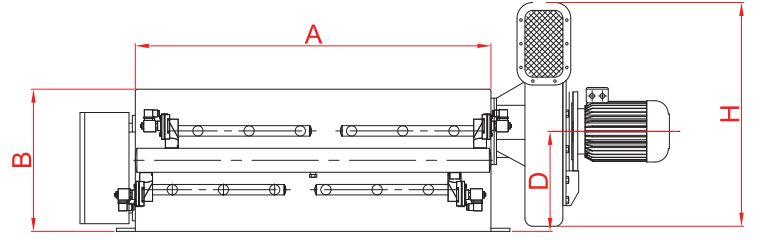
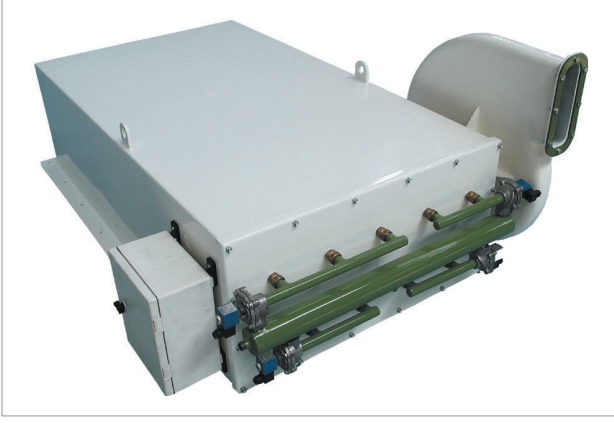
HAVA ŞOKLU FİLTRE / JET IMPULSE FILTER / FILTRE A JET D'AIR



65



HAVA ŞOKLU FİLTRE / JET IMPULSE FILTER / FILTRE A JET D'AIR



66

ÖLÇÜLER - DIMENSIONS (mm)

Tip / Type	A	B	C	D	E	F	G	H	I
Ms-55-2/800	394	264	924	132	514	1143	982	707	1261
Ms-55-5/800	564	450	1120	316.5	684	1143	982	707	1261
Ms-55-7/800	720	450	1281	316.5	840	1143	982	707	1261
Ms-55-9/800	882	450	1451	316.5	1002	1143	982	707	1261
Ms-55-5/1200	564	450	1120	316.5	684	1543	1382	707	1661
Ms-55-7/1200	720	450	1281	316.5	840	1543	1382	707	1661
Ms-55-9/1200	882	450	1451	316.5	1002	1543	1382	707	1661
Ms-55-12/1600	1125	450	1865	316.5	1245	1943	1774	707	2131

TEKNİK BİLGİLER - TECHNICAL DATA

Tip / Type	Torba Adedi Number of sleeves	Torba uzunluğu Length of sleeves (mm)	Torba Sleeves Ø(mm)	Filtre Alanı Surface of filter (m²)	Debi Flow-rate max. (m³/min.)	Ventilator (220 mm.wg.)	Aspiratör motoru Ventilator motor	
							kW	d/d rpm.
Ms-55-2/800	2	800	120	0.60	2	7 m³/min.	0.55	2900
Ms-55-5/800	5	800	120	1.50	7	10 m³/min.	0.75	2900
Ms-55-7/800	7	800	120	2.11	10	15 m³/min.	1.1	2900
Ms-55-9/800	9	800	120	2.71	13	20 m³/min.	1.5	2900
Ms-55-5/1200	5	1200	120	2.26	10.7	15 m³/min.	1.1	2900
Ms-55-7/1200	7	1200	120	3.16	15	20 m³/min.	1.5	2900
Ms-55-9/1200	9	1200	120	4.07	19	25 m³/min.	1.5	2900
Ms-55-12/1600	12	1600	120	7.20	35	45 m³/min.	3	2900