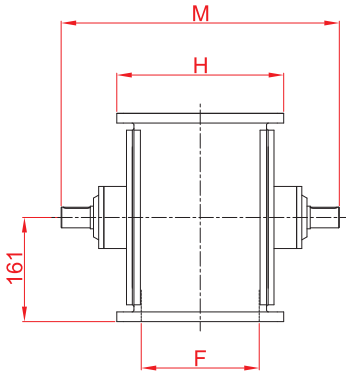
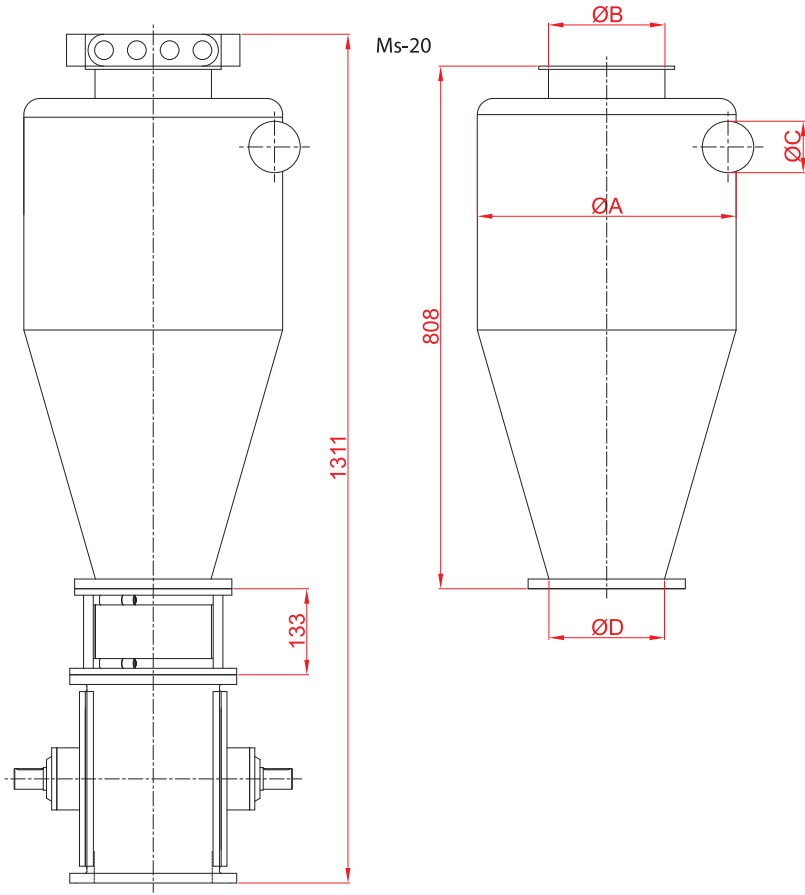
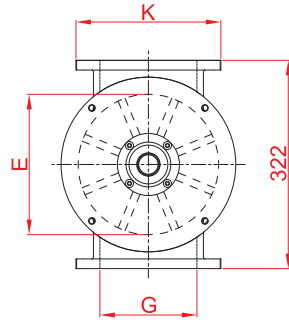


MİKRO SİKLO / MICRO CYCLONE / MICRO CYCLONE



Mud-03



ÖLÇÜLER - DIMENSIONS (mm)

Tip / Type (Ms-20)	ØA	ØB	ØC	ØD
MIN.	200	70	51-57	135
MAX.	500	180	150-159	170

TEKNİK BİLGİLER - TECHNICAL DATA

Tip / Type	ØE	F	G	H	K	M/max.	Hacim Volume (lt/rev.)
Mud-03-12/11	217	120	115	200	180	562	3
Mud-03-18/15	217	180	150	258	222	562	4.3
Mud-03-22/15	217	220	150	318	225	562	5.6
Mud-03-22/15P	217	220	150	318	225	562	7,5

