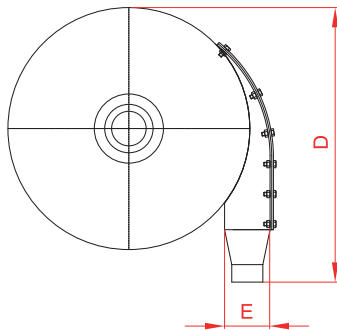
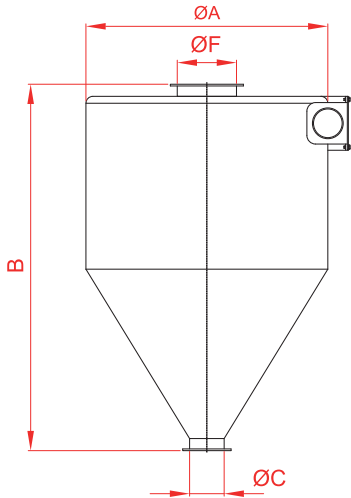


# POMPA SİKLONU / CYCLONE OF BLOWER / CYCLONE POUR SURPRESSEUR



## TEKNİK BİLGİLER - TECHNICAL DATA

Tip / Type	$\varnothing A$	B	$\varnothing C$	D	E	$\varnothing F$	Kullanılan Hava Air to be Used m <sup>3</sup> /min	Basınç Kaybı Pressure Loss (mm.wg.)	Hacim Volume (m <sup>3</sup> )
Ms-61-500	500	1030	100-200	550	83x102	120	10	70-150	0.136
Ms-61-600	600	1030	100-200	650	102x133	175	20		0.194
Ms-61-700	700	1100	100-200	750	133x162	225	30		0.272
Ms-61-800	800	1180	150-250	850	162x186	250	40		0.368
Ms-61-900	900	1260	150-250	950	186-208	275	50		0.486
Ms-61-1000	1000	1340	150-250	1050	208-235	300	60		0.623
Ms-61-1200	1200	1500	150-250	1250	235-263	350	75		0.963